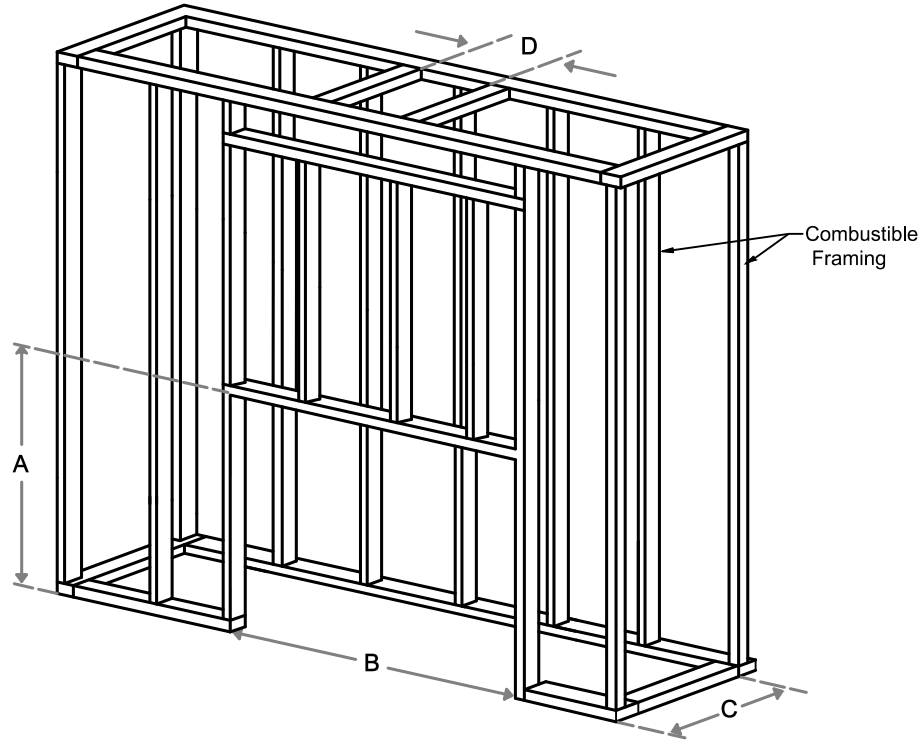


## Framing Information: 25H Front (Screen & Double Glass)

**ORTAL**  
YOUR LIFE. YOUR FIRE

### Framing Dimensions



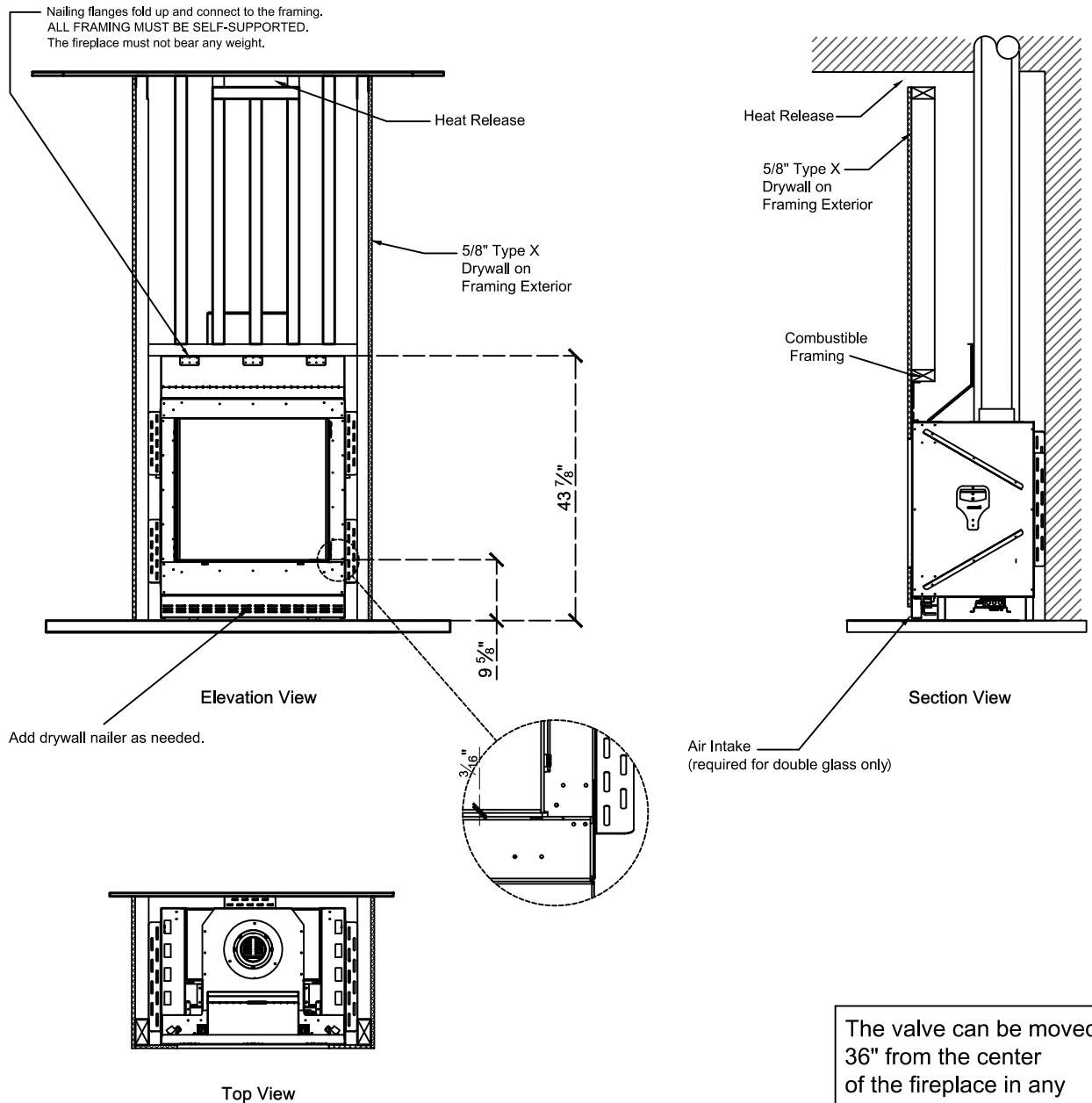
| Model     | A                  | B                  | C                  | D  |
|-----------|--------------------|--------------------|--------------------|--|
| 25H Front | 43 $\frac{7}{8}$ " | 34 $\frac{5}{8}$ " | 25 $\frac{1}{8}$ " | Refer to Vent Manufacturer's Firestop Dimensions |

**Note :** 1. Drawings are not to Scale  
 2. All dimensions in inches  
 3. No weight can be transferred to the fireplace. ALL FRAMING MUST BE SELF-SUPPORTED.

# Framing Information: 25H Front (Screen & Double Glass)

**ORTAL**  
YOUR LIFE. YOUR FIRE

## Framing Details

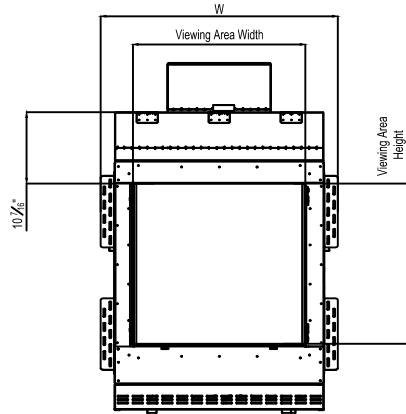


- Note :**
1. Drawings are not to Scale
  2. All dimensions in inches
  3. No weight can be transferred to the fireplace. ALL FRAMING MUST BE SELF-SUPPORTED.

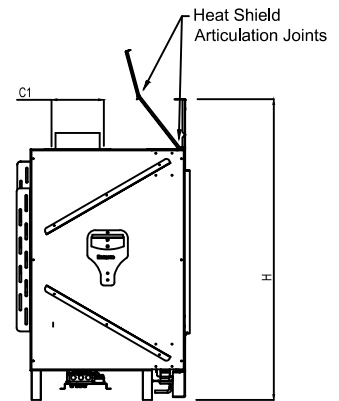
# Framing Information: 25H Front (Screen & Double Glass)



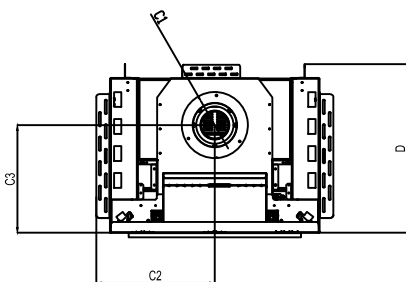
## Fireplace Dimensions



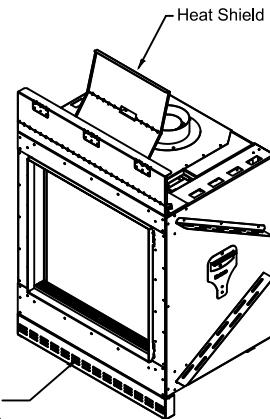
Front View



Side View



Top View



Protective Cover for double glass fans. Ships on double glass models only.

| Model     | (H) Height                       | (W) Width                        | (D) Depth                        | C1                               | C2                                | C3                               | Viewing Area   |      |
|-----------|----------------------------------|----------------------------------|----------------------------------|----------------------------------|-----------------------------------|----------------------------------|--|------|
|           |                                  |                                  |                                  |                                  |                                   |                                  | Front  | Side |
| 25H Front | 43 <sup>7</sup> / <sub>8</sub> " | 34 <sup>5</sup> / <sub>8</sub> " | 25 <sup>1</sup> / <sub>8</sub> " | 6 <sup>7</sup> / <sub>16</sub> " | 17 <sup>5</sup> / <sub>16</sub> " | 15 <sup>6</sup> / <sub>8</sub> " | 25 <sup>3</sup> / <sub>16</sub> " W X 23 <sup>13</sup> / <sub>16</sub> " H | —    |

Note : 1. Drawings are not to Scale  
2. All dimensions in inches