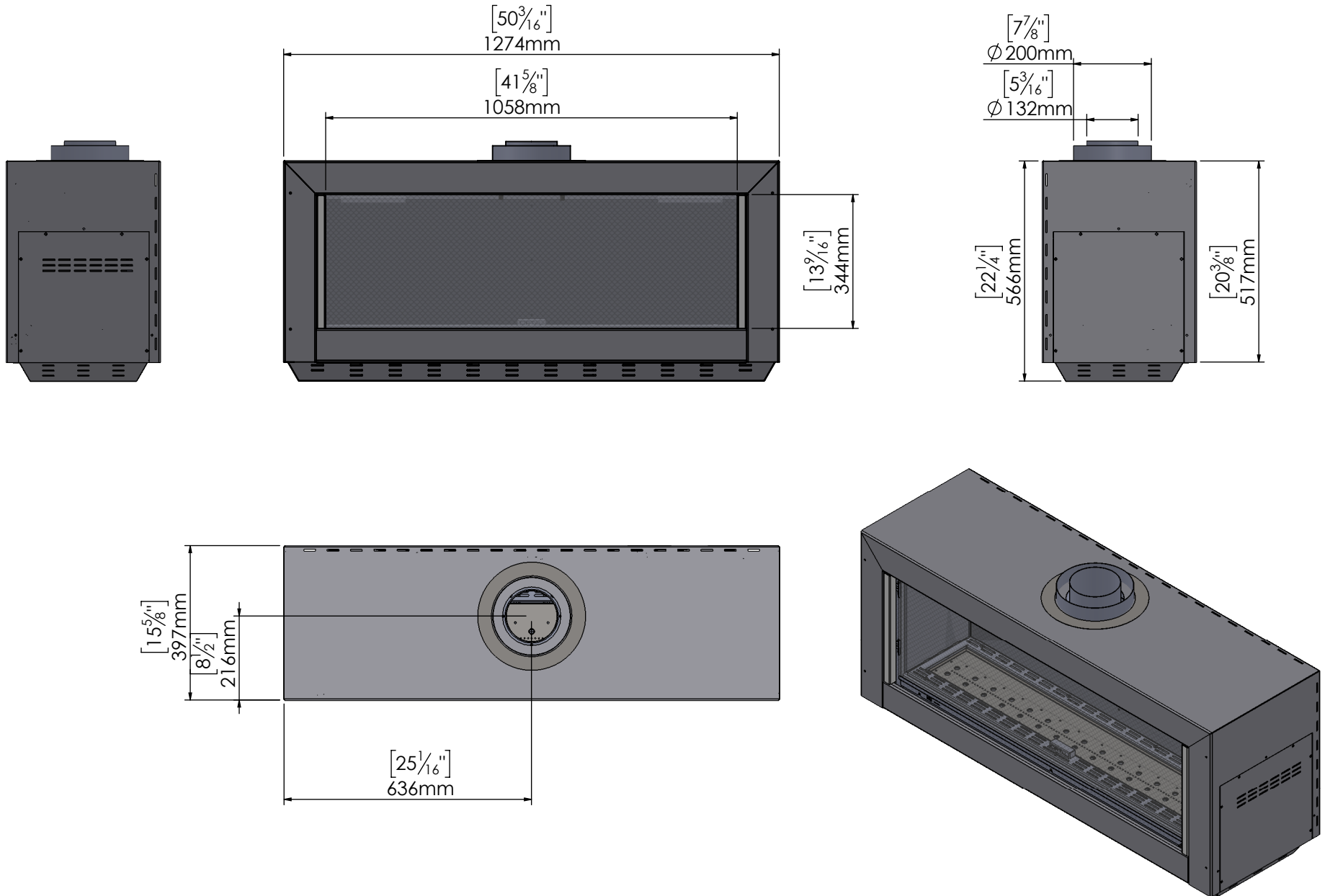
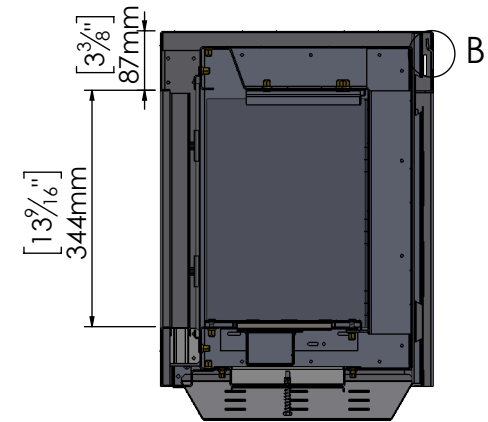
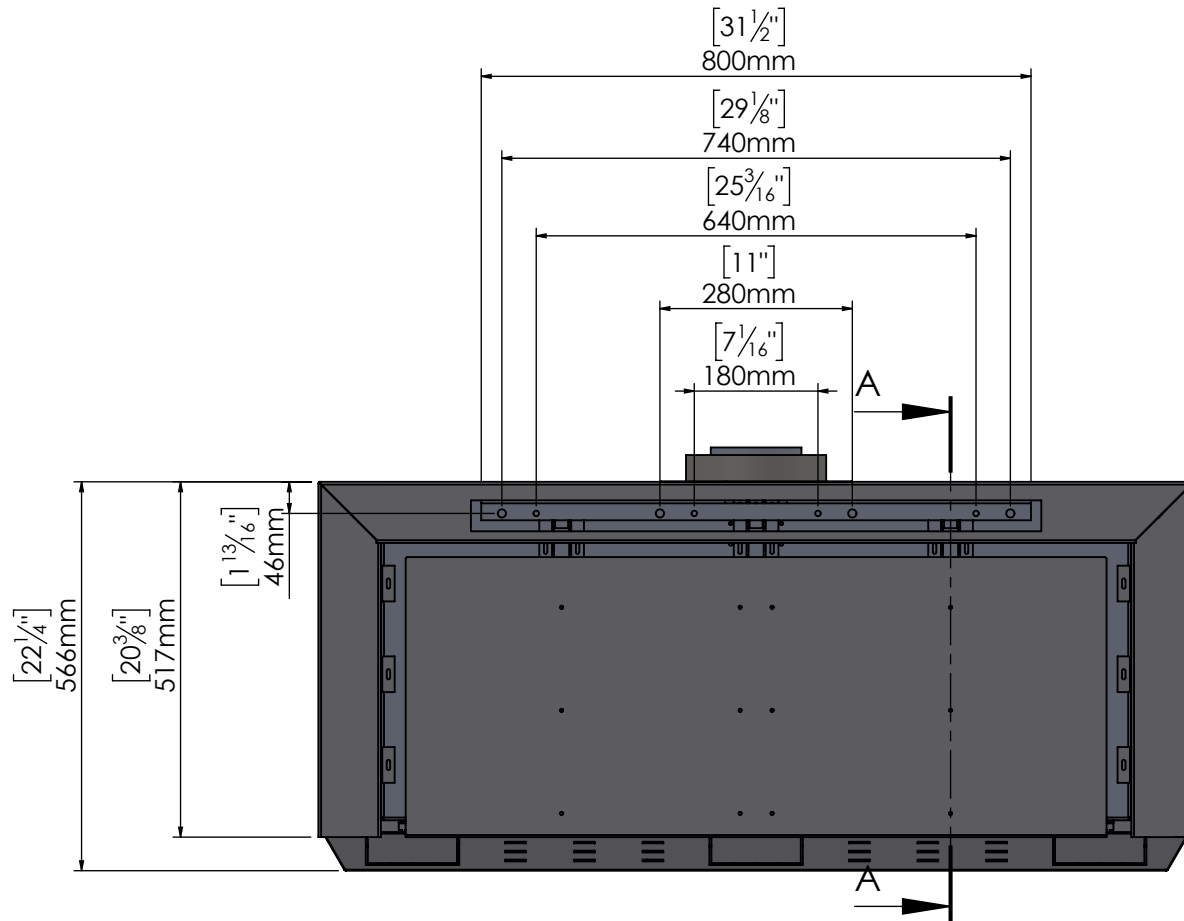
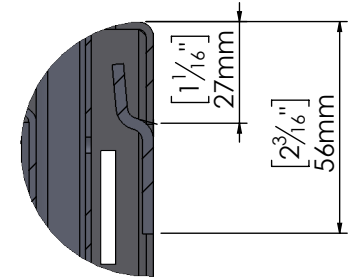


110 Front Stand Alone Screen



110 Front Stand Alone Screen

DETAIL B
SCALE 1 : 2



SECTION A-A
SCALE 1 : 11

110 Front Stand Alone Screen

