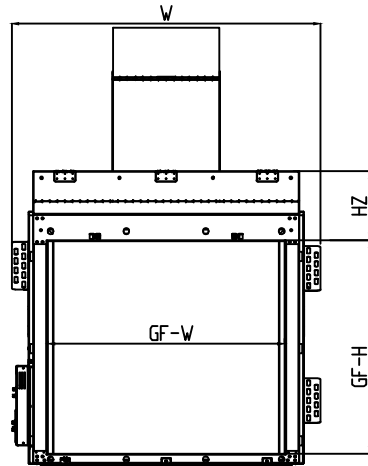
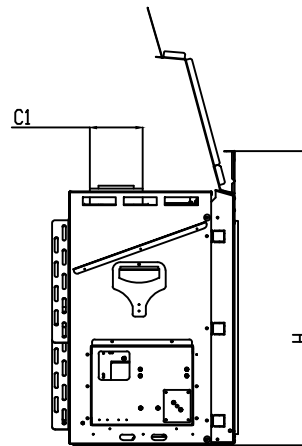




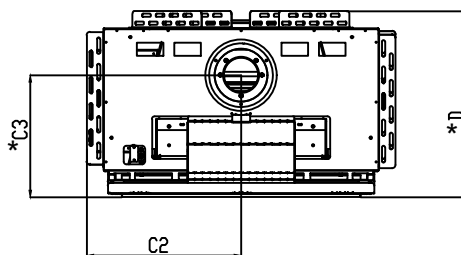
Traditional 90 Framing Information



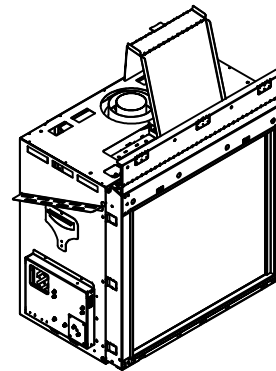
Front View



Side View



Top View



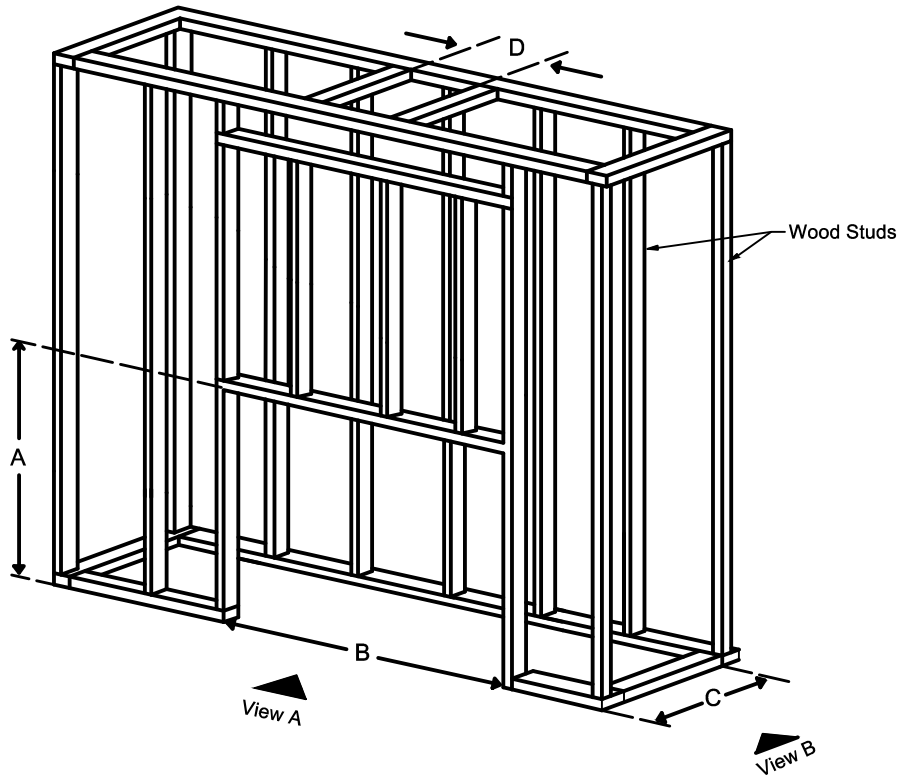
Model	(H) Height	(W) Width	(D) Depth	HZ	C1	C2	C3	Glass Opening	
								(GF) Front	(GS) Side
TR 90	43 5/8"	45 13/16"	27 1/16"	10 3/8"	7 7/8"	22 15/16"	18 1/16"	35 7/16" W X 31 5/8" H	—

* Dimensions include 1/2" lip (for drywall)

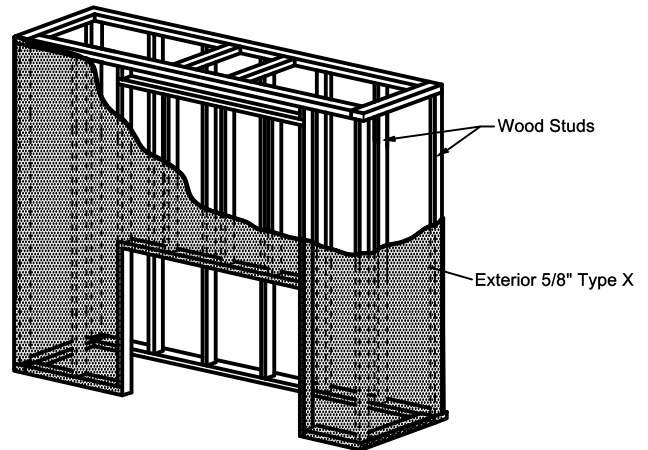
- Note : 1. Drawings are not to Scale
 2. All dimensions are in inches



Traditional 90 Framing Information



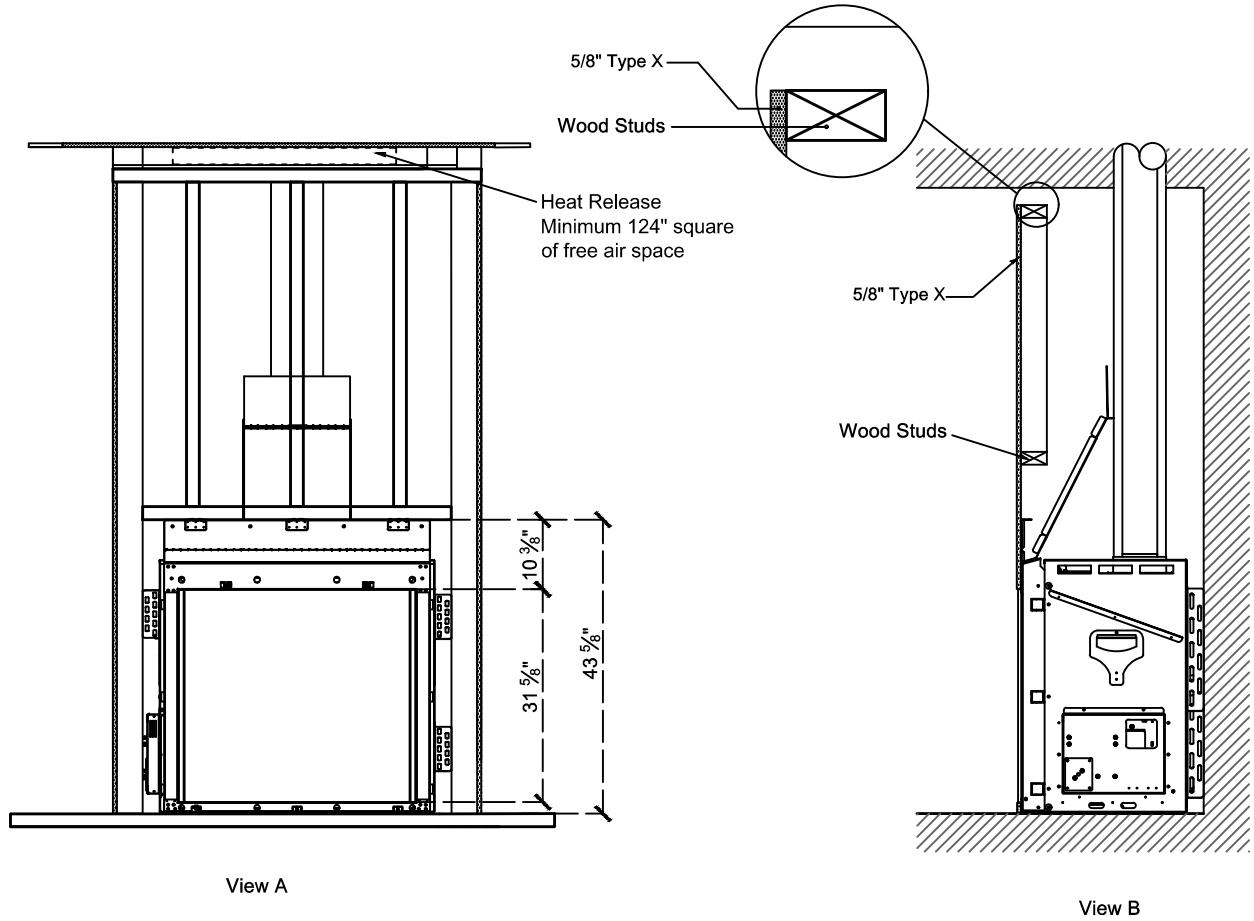
Model	A	B	C	D
TR 90	43 ⁵ / ₈ "	45 ¹³ / ₁₆ "	27 ¹ / ₁₆ "	Refer to pipe manufacturer's firestop dimensions



Note : 1. Drawings are not to Scale
 2. All dimensions are in inches



Traditional 90 Framing Information



Note : 1. Drawings are not to Scale
2. All dimensions are in inches