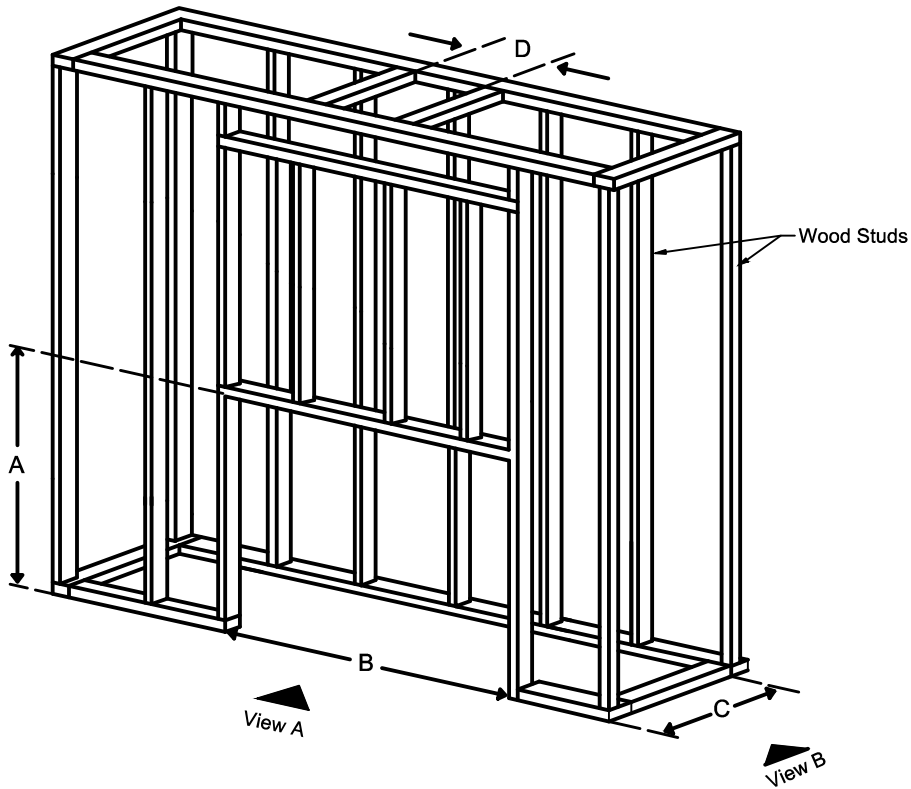
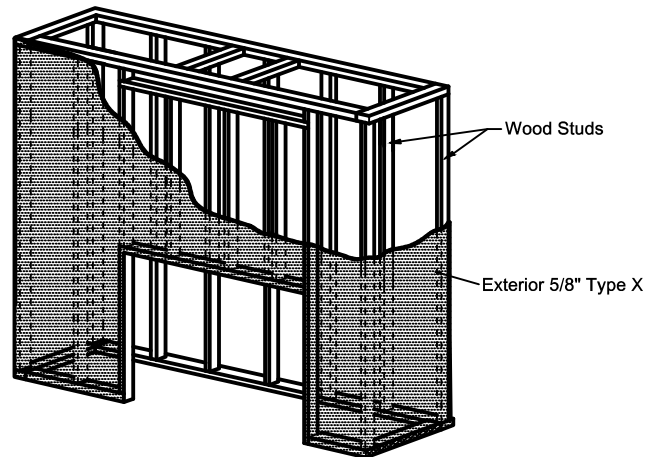




Traditional 110 Framing Information



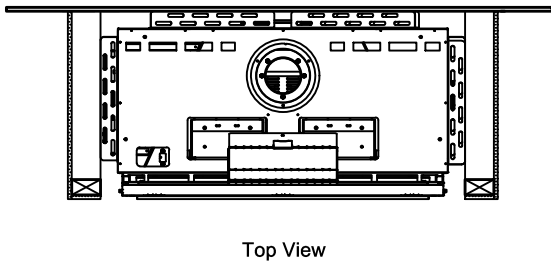
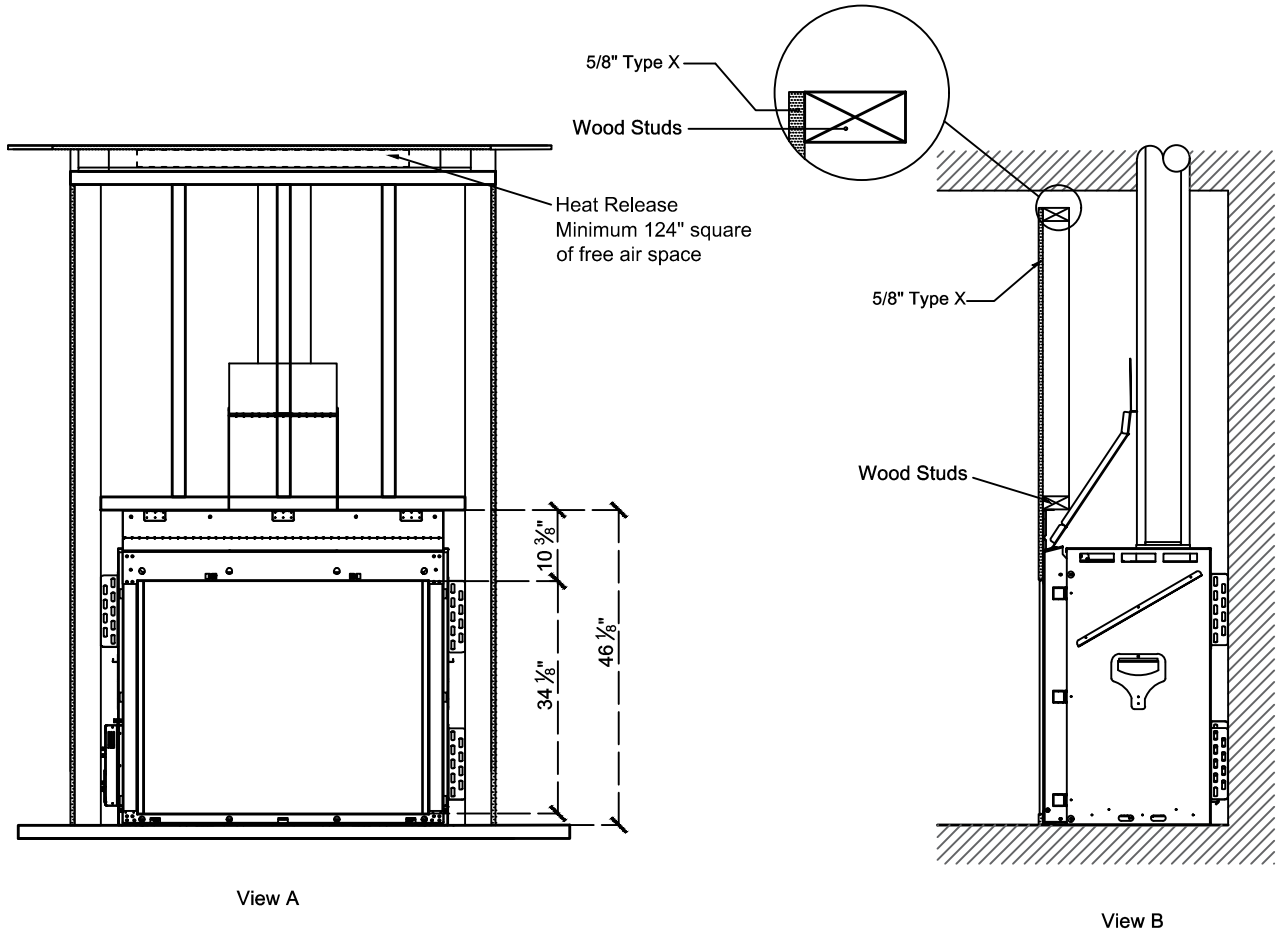
Model	A	B	C	D
TR 110	46 1/8"	53 5/16"	27 1/16"	Refer to pipe manufacturer's firestop dimensions



Note : 1. Drawings are not to Scale
 2. All dimensions are in inches



Traditional 110 Framing Information



Note : 1. Drawings are not to Scale
2. All dimensions are in inches