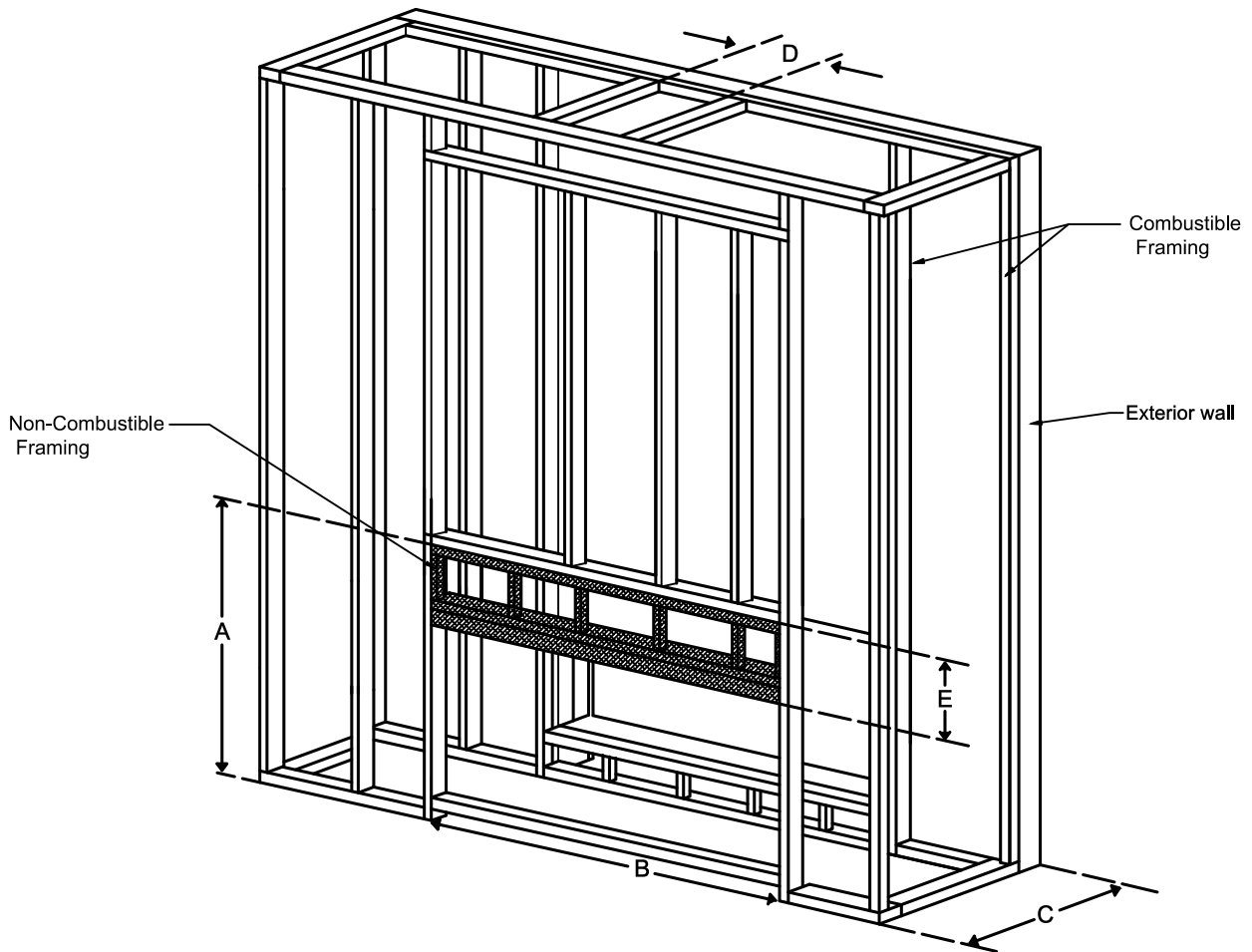


## Framing Information: 150HH Indoor-Outdoor Tunnel



### Framing Dimensions



Model	A	B	C		D	E
			MIN	MAX		
150HH	57 1/8"	69 5/8"	24 1/16"	26 3/4"	Refer to Vent Manufacturer's Firestop Dimensions	14 1/8"

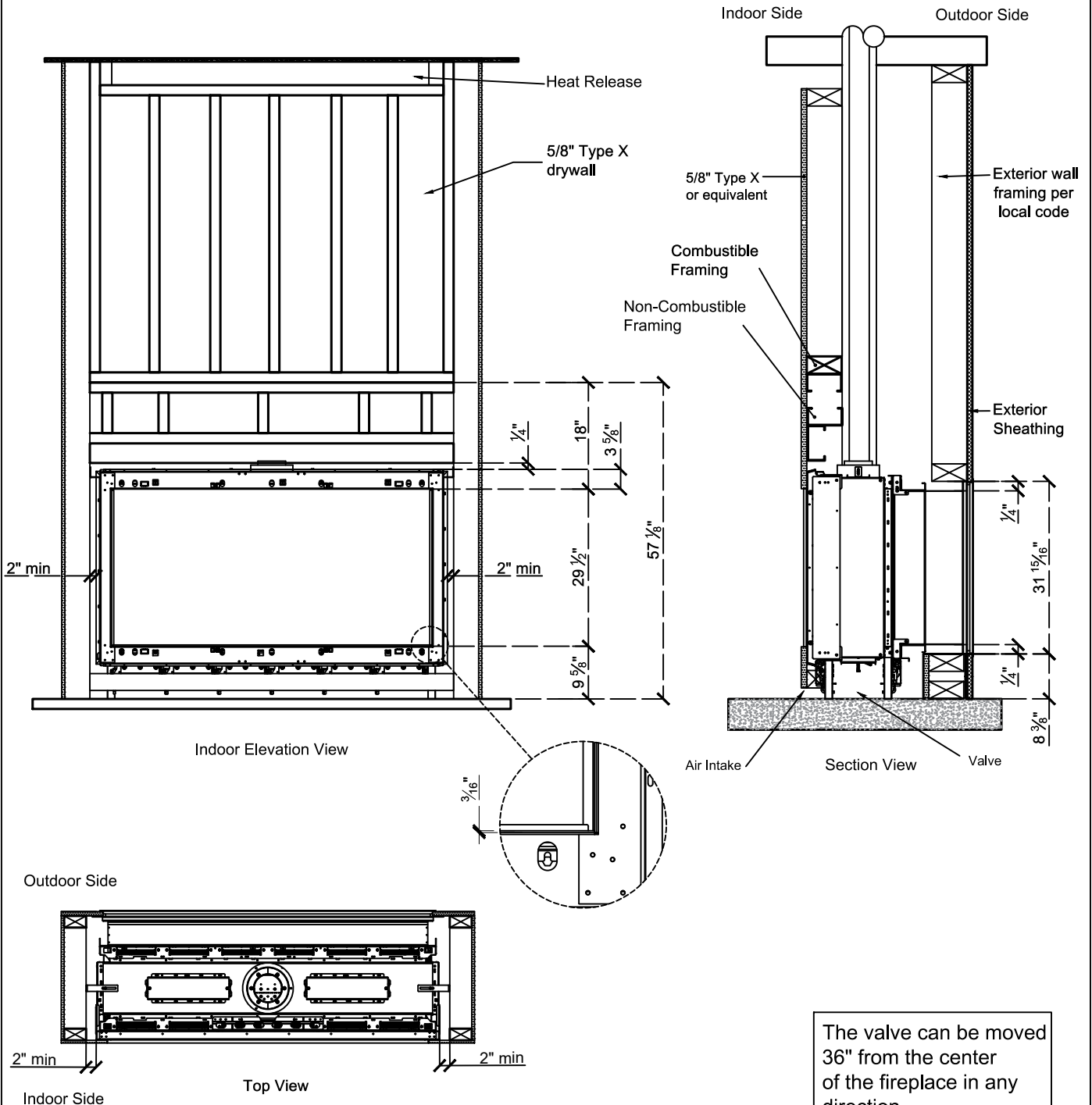
**Note :**

1. Drawings are not to Scale
2. All dimensions in inches
3. No weight can be transferred to the fireplace. ALL FRAMING MUST BE SELF-SUPPORTED.

# Framing Information: 150HH Indoor-Outdoor Tunnel



## Framing Details

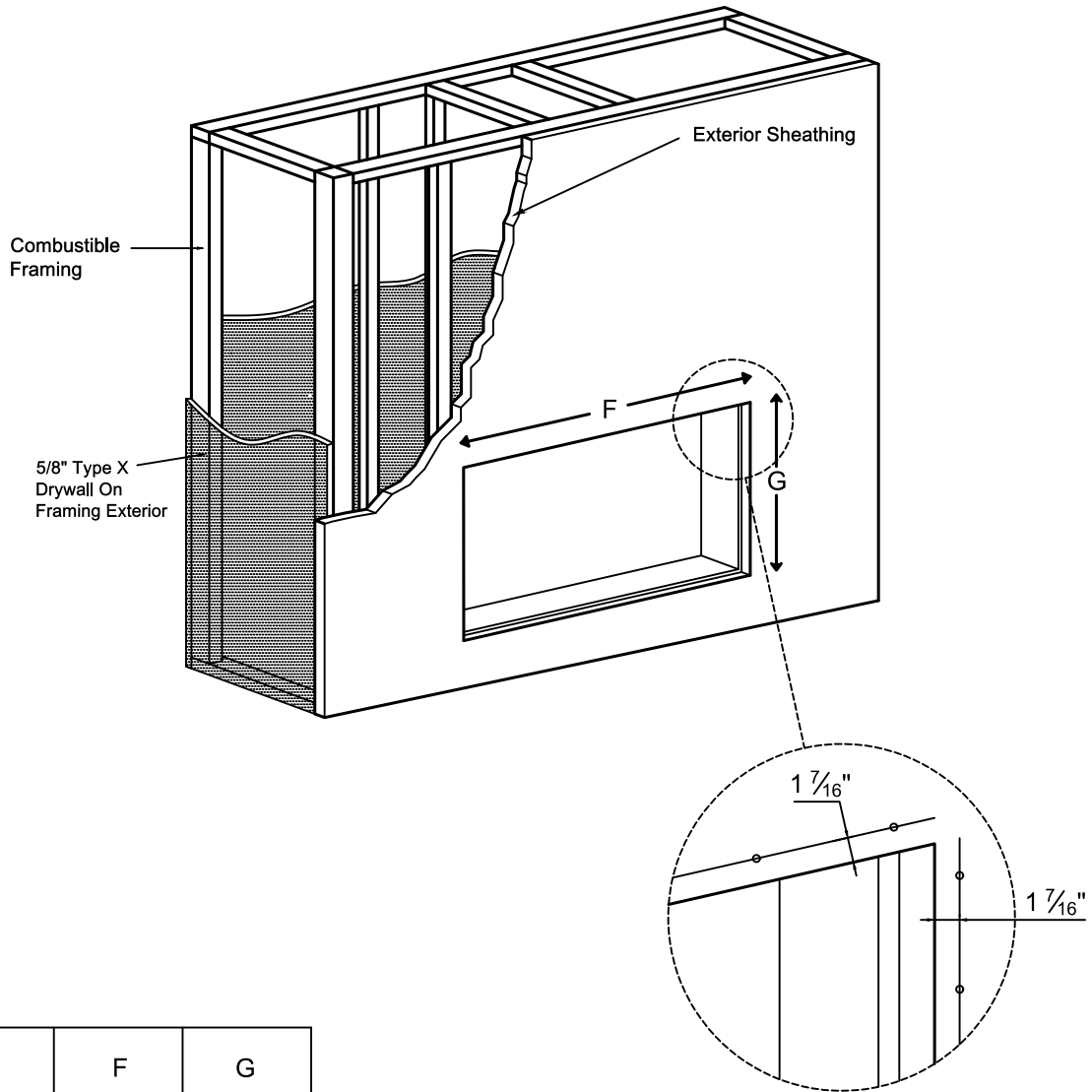


- Note :
1. Drawings are not to Scale
  2. All dimensions in inches
  3. No weight can be transferred to the fireplace. ALL FRAMING MUST BE SELF-SUPPORTED.

# Framing Information: 150HH Indoor-Outdoor Tunnel



## Exterior Framing Details



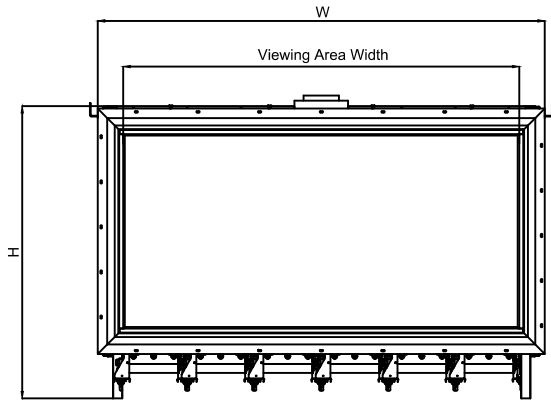
Model	F	G
150HH	61 $\frac{13}{16}$ "	32 $\frac{3}{16}$ "

Note : 1. Drawings are not to Scale  
 2. All dimensions in inches

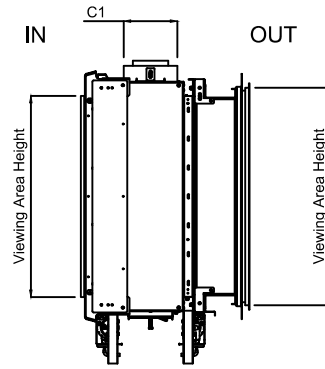
# Framing Information: 150HH Indoor-Outdoor Tunnel



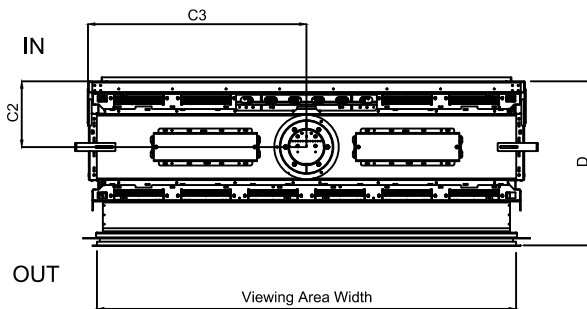
## Fireplace Dimensions



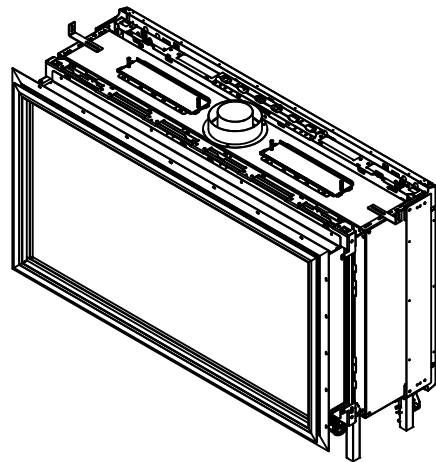
Outdoor Front View



Side View



Top View



Model	(H) Height	(W) Width	(D) fixed Depth	C1	C2	C3	Viewing Area	
							IN	OUT
150HH	42 <sup>15</sup> / <sub>16</sub> "	65 <sup>5</sup> / <sub>8</sub> "	24 <sup>1</sup> / <sub>16</sub> "	7 <sup>7</sup> / <sub>8</sub> "	9 <sup>5</sup> / <sub>8</sub> "	32 <sup>3</sup> / <sub>16</sub> "	60 <sup>3</sup> / <sub>16</sub> " W X 29 <sup>1</sup> / <sub>2</sub> " H	61 <sup>9</sup> / <sub>16</sub> " W X 31 <sup>15</sup> / <sub>16</sub> " H

Note : 1. Drawings are not to Scale  
2. All dimensions in inches

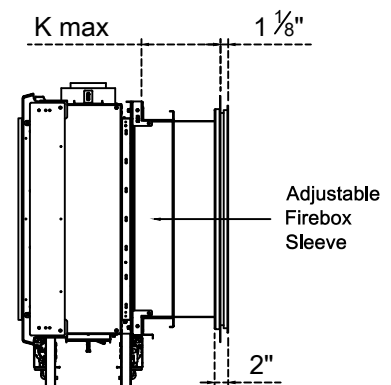
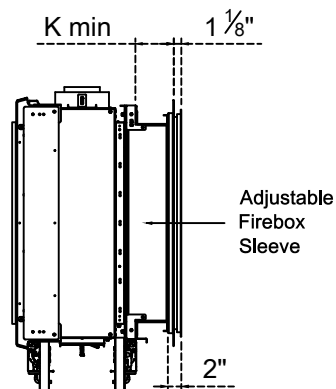
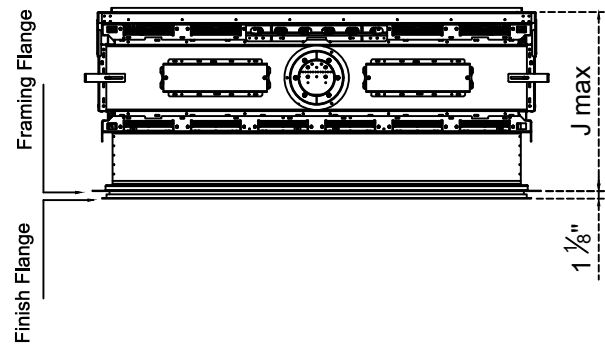
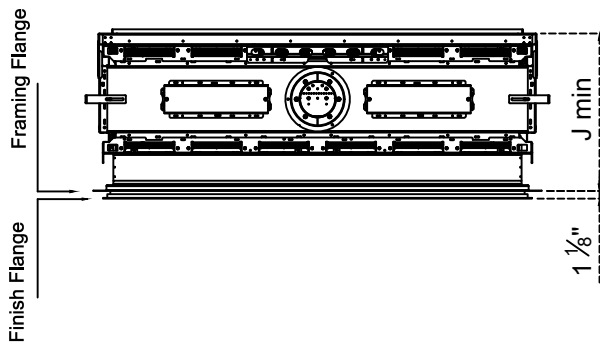
# Framing Information: 150HH Indoor-Outdoor Tunnel



## Fireplace Dimensions

Minimum depth

Maximum depth



Model	J min	J max	K min	K max
150HH	23"	25 1/16"	5 3/8"	8 1/16"

Note : 1. Drawings are not to Scale  
2. All dimensions in inches