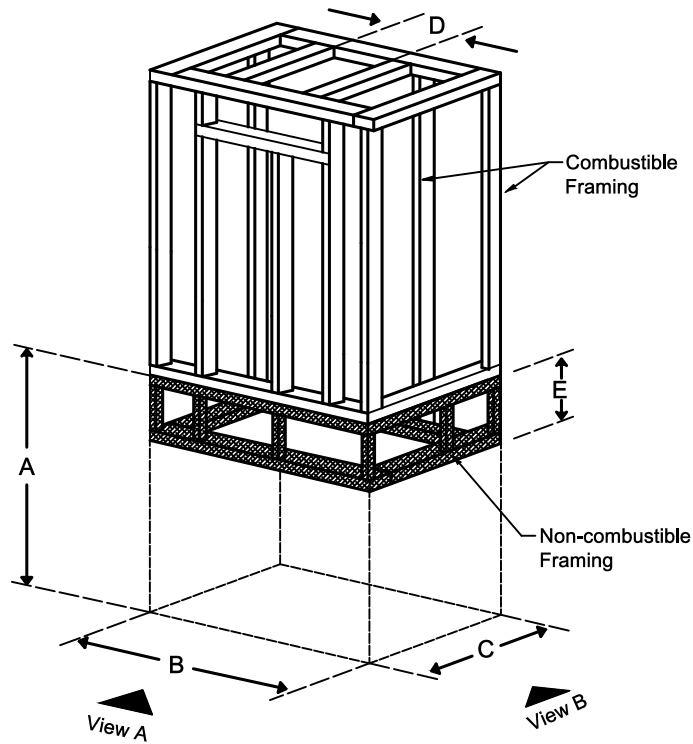


Framing Information: Island 70 (No Hood, No Base)



Framing Dimensions



Model	A	B	C	D	E
Island 70	47 ½"	29 ⅛"	29 ⅛"	Refer to Vent Manufacturer's Firestop Dimensions	14 ⅛"

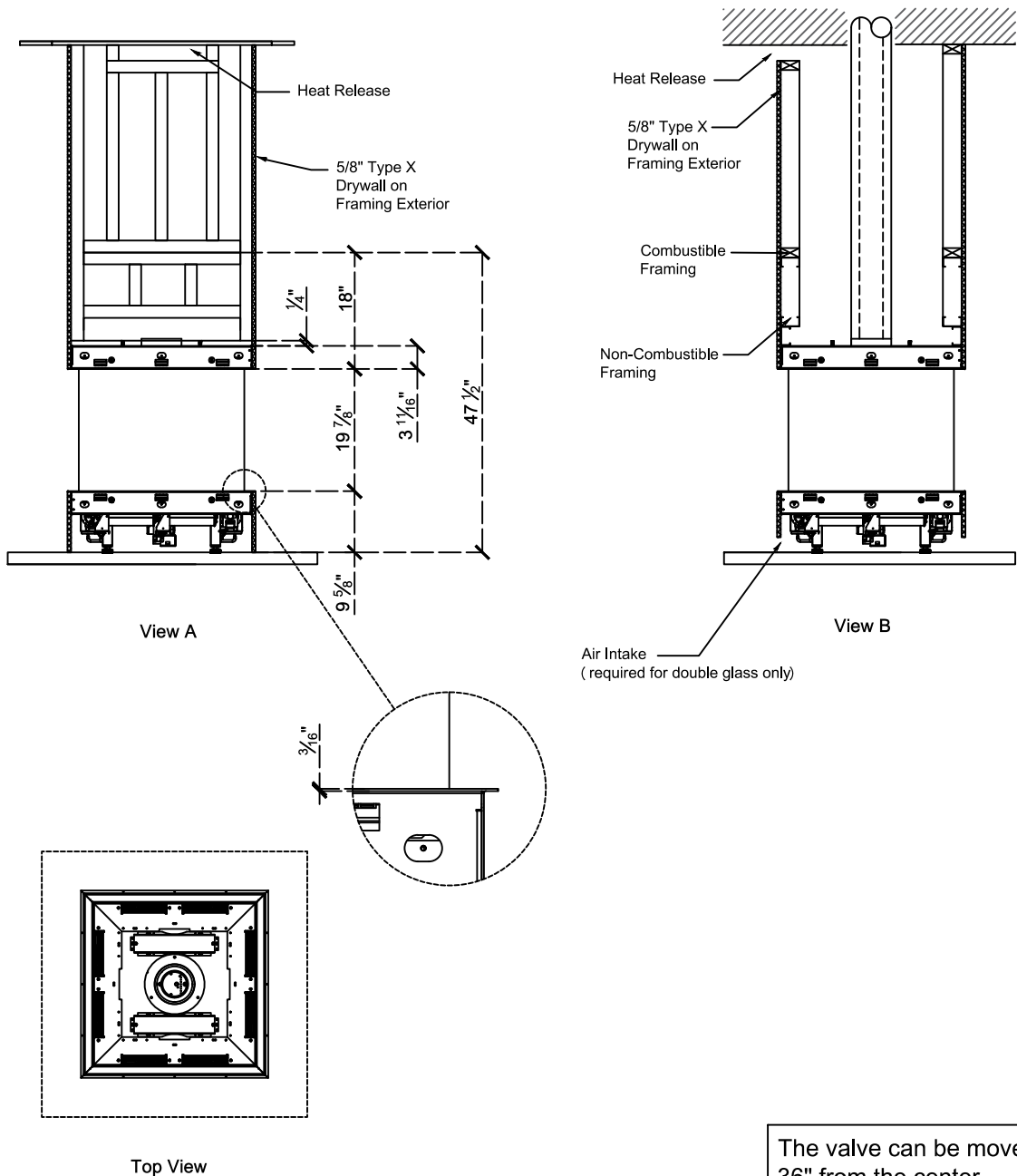
Note :

1. Drawings are not to Scale
2. All dimensions in inches
3. No weight can be transferred to the fireplace. ALL FRAMING MUST BE SELF-SUPPORTED.

Framing Information: Island 70 (No Hood, No Base)



Framing Details



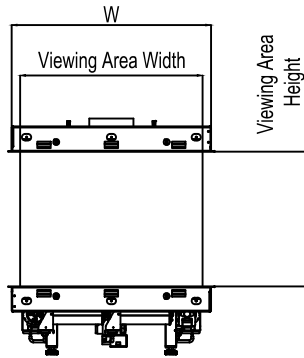
The valve can be moved 36" from the center of the fireplace in any direction

- Note :
1. Drawings are not to Scale
 2. All dimensions in inches
 3. No weight can be transferred to the fireplace. ALL FRAMING MUST BE SELF-SUPPORTED.

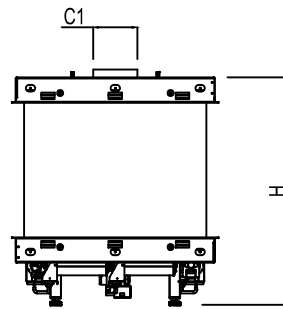
Framing Information: Island 70 (No Hood, No Base)



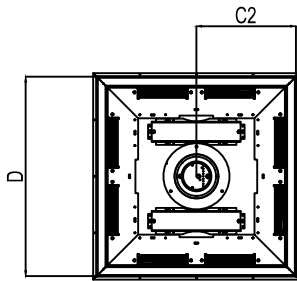
Fireplace Dimensions



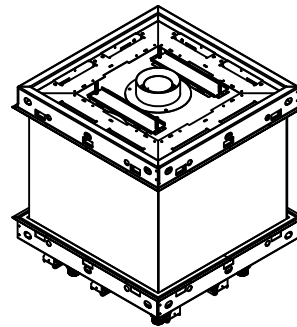
Front View



Side View



Top View



Model	(H) Height	(W) Width	(D) Depth	C1	C2	Viewing Area
						Front & Side
Island 70	33 1/4"	29 1/8"	29 1/8"	6 7/16"	14 9/16"	26 5/8" W X 19 7/8" H

Note : 1. Drawings are not to Scale
 2. All dimensions in inches