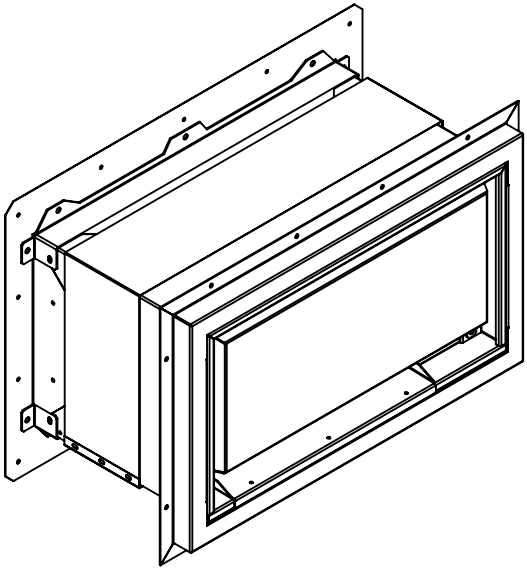
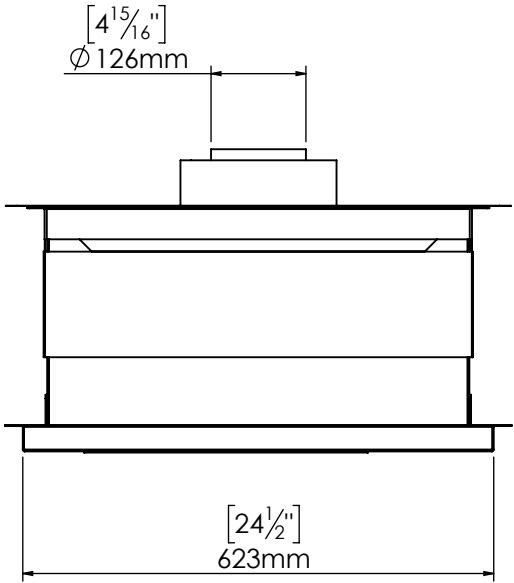
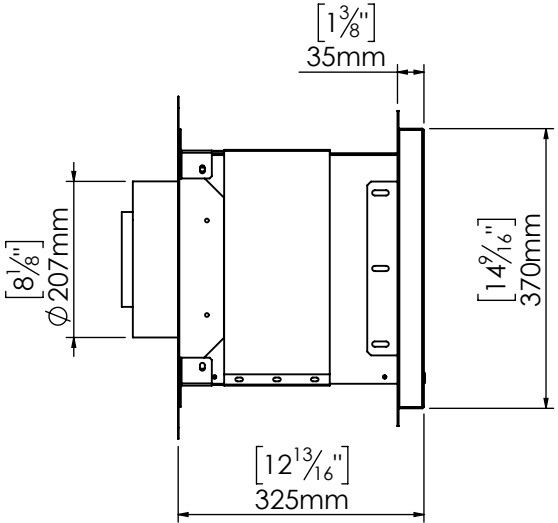
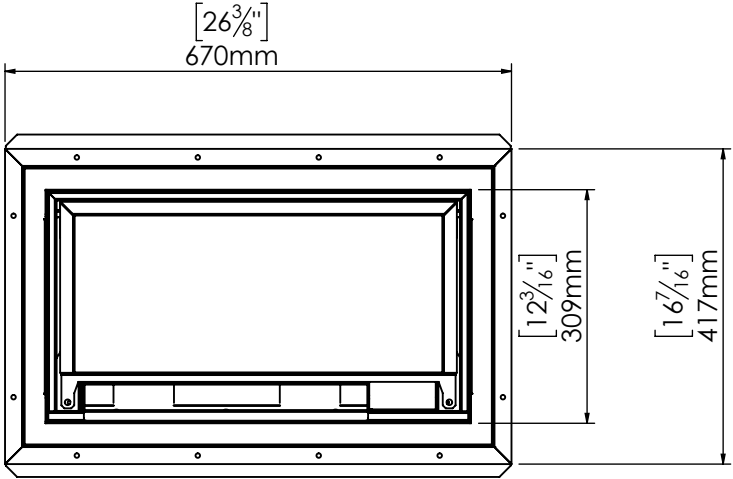


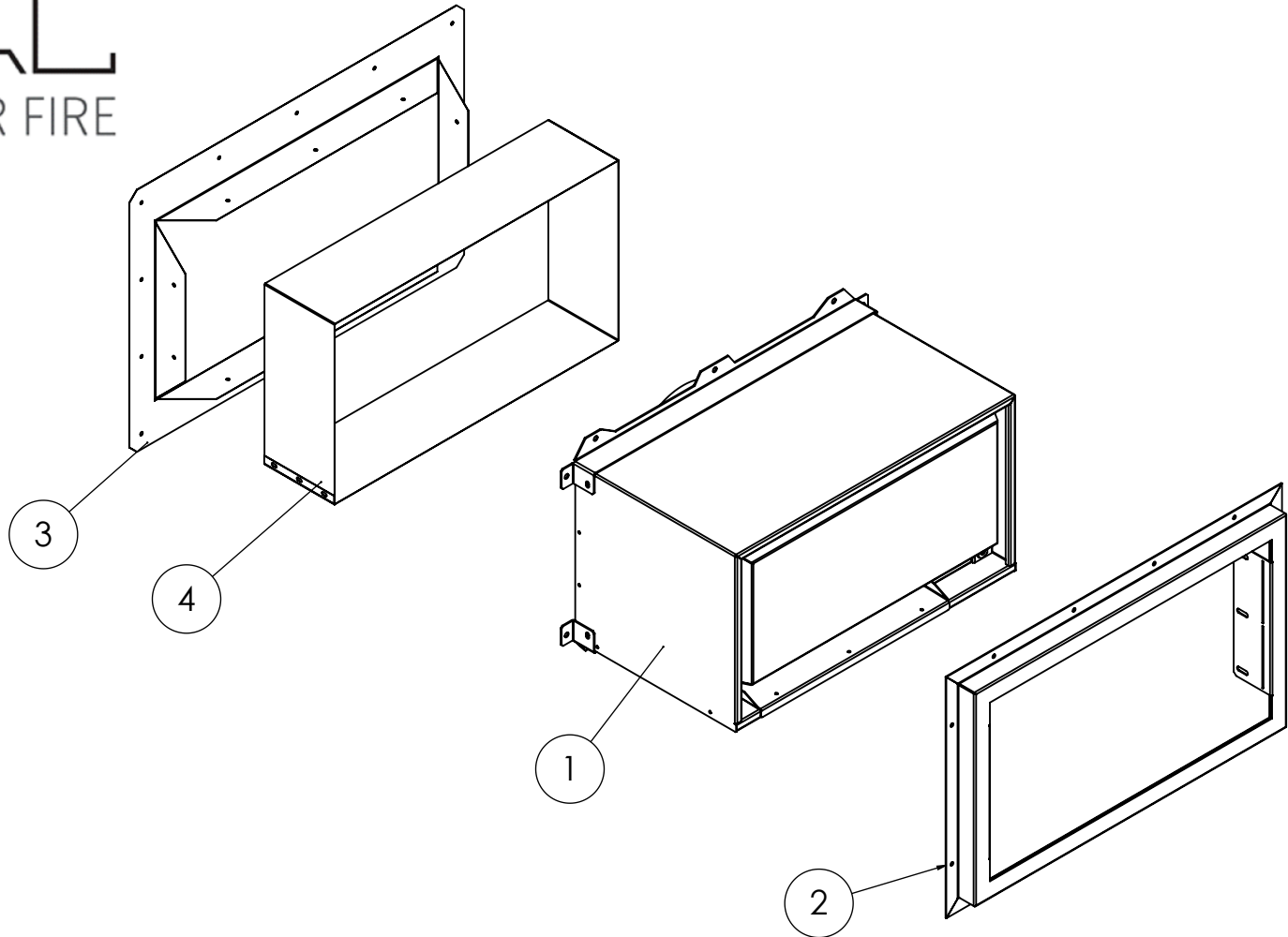
ORTAL

YOUR LIFE. YOUR FIRE



ORTAL

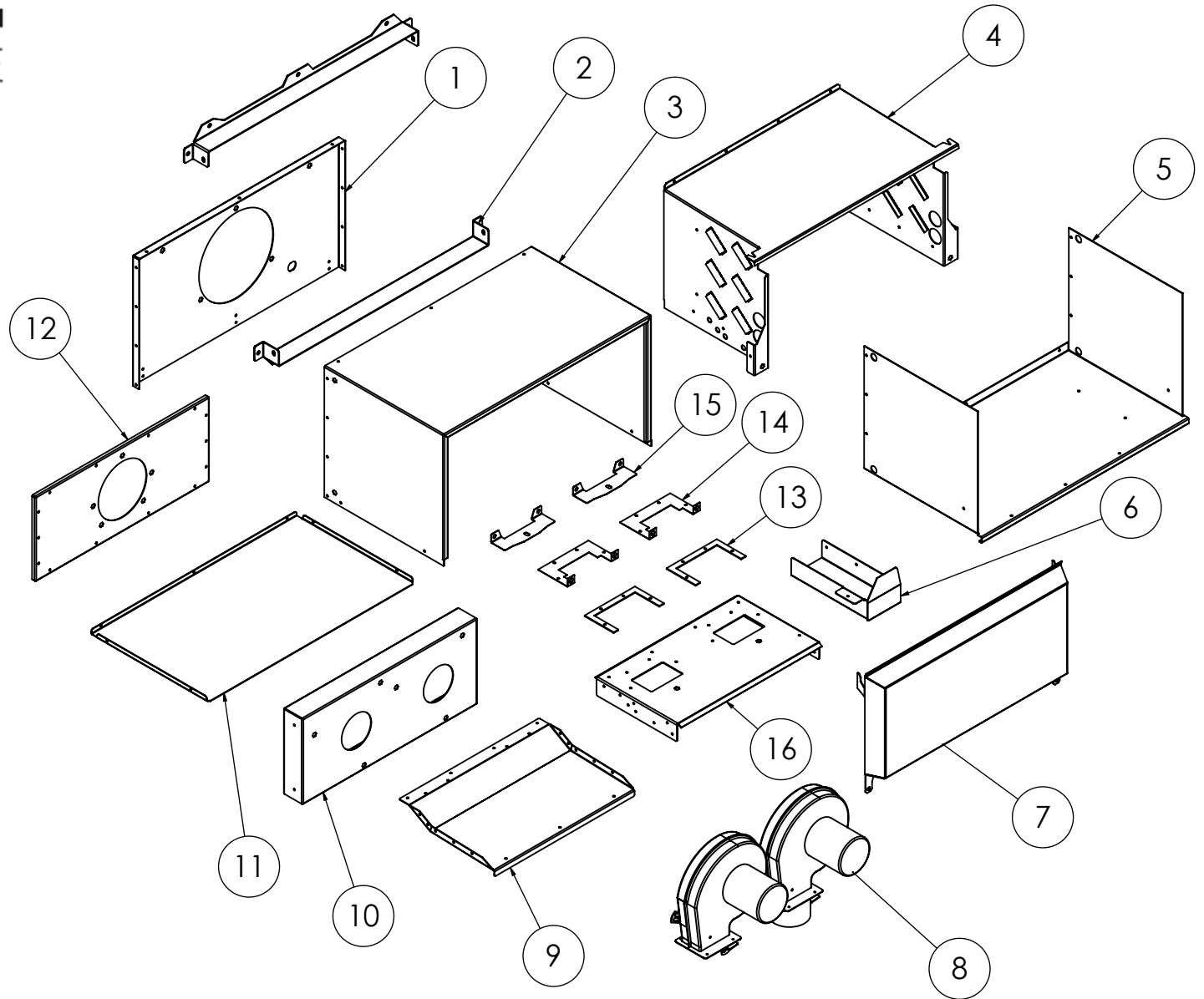
YOUR LIFE. YOUR FIRE



ITEM NO.	PART NUMBER	Default/ QTY.
1	FWDPV-100	1
2	FWDPV-111	1
3	FWDPV-202	1
4	FWDPV-200	1

ORTAL

YOUR LIFE. YOUR FIRE



ITEM NO.	PART NUMBER	QTY.
1	FWDPV-108	1
2	FWDPV-002	2
3	FWDPV-106	1
4	FWDPV-104	1
5	FWDPV-105	1
6	FWDPV-110	1
7	FWDPV-109	1
8	BLOWER	2
9	FWDPV-103	1
10	FWDPV-101-A	1
11	FWDPV-113	1
12	FWDPV-101-B	1
13	SSMF1F14	2
14	SSMF1F13	2
15	SSMF1F15	2
16	FWDPV-102	1