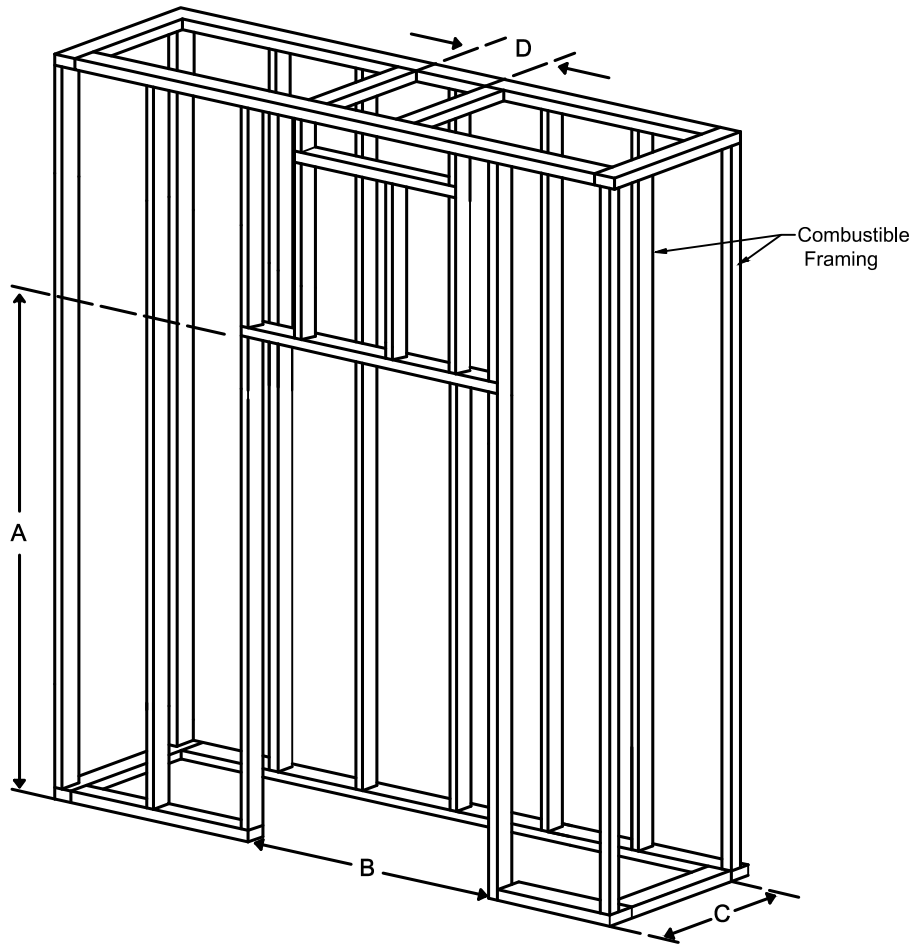


Framing Information: 31H Front (Screen & Double Glass)



Framing Dimensions



Model	A	B	C	D
31H Front	$85 \frac{3}{16}"$	$38 \frac{9}{16}"$	$19 \frac{13}{16}"$	Refer to Vent Manufacturer's Firestop Dimensions

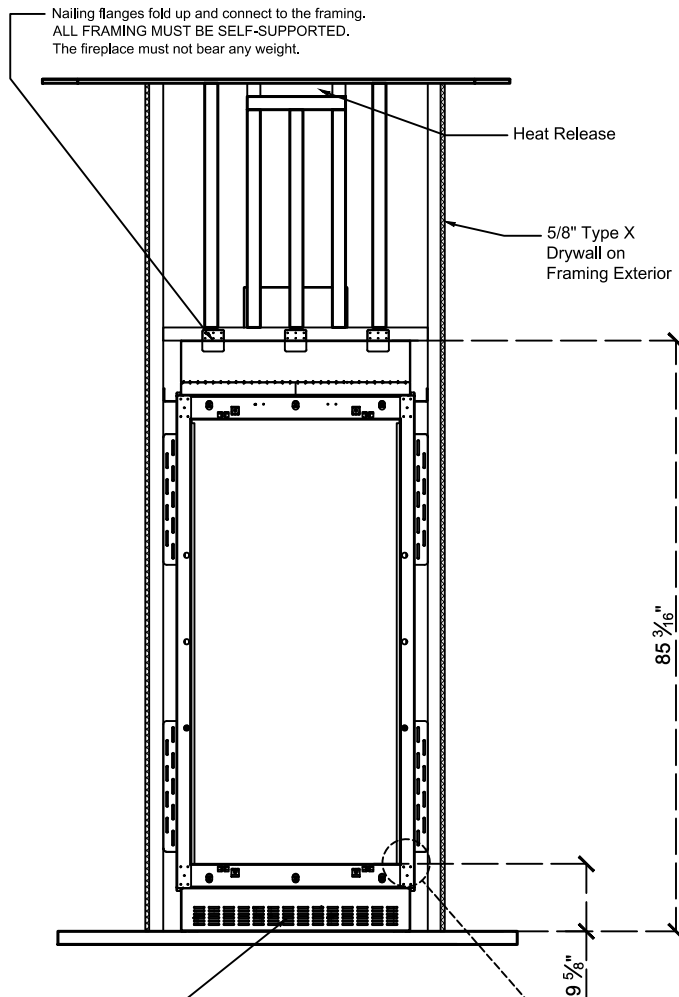
Note :

1. Drawings are not to Scale
2. All dimensions in inches
3. No weight can be transferred to the fireplace. ALL FRAMING MUST BE SELF-SUPPORTED.

Framing Information: 31H Front (Screen & Double Glass)

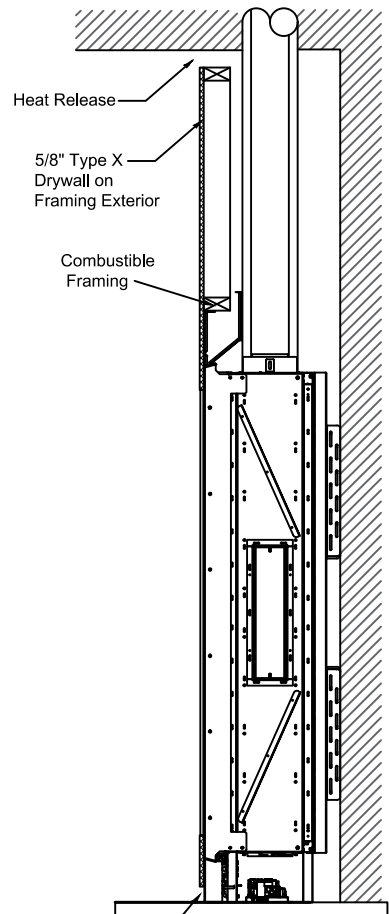


Framing Details



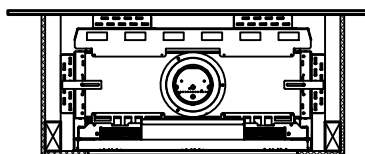
Elevation View

Add drywall nailer as needed.

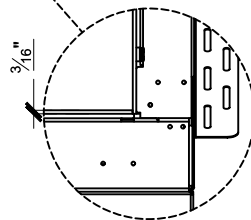


Section View

Air Intake
(required for double glass only)



Top View



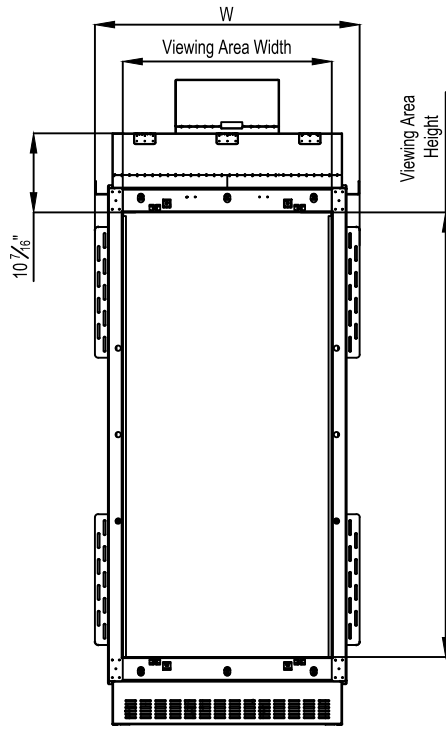
The valve can be moved
36" from the center
of the fireplace in any
direction

- Note :
1. Drawings are not to Scale
 2. All dimensions in inches
 3. No weight can be transferred to the fireplace. ALL FRAMING MUST BE SELF-SUPPORTED.

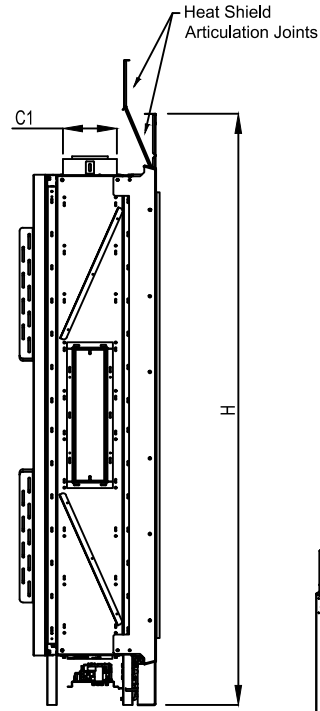
Framing Information: 31H Front (Screen & Double Glass)



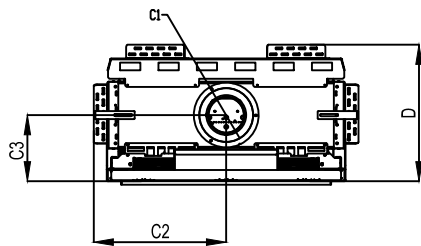
Fireplace Dimensions



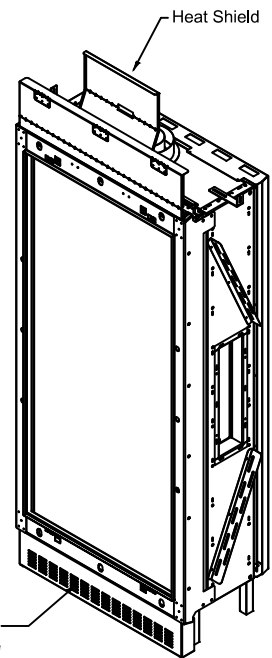
Front View



Side View



Top View



Protective Cover for double glass fans. Ships on double glass models only.

Model	(H) Height	(W) Width	(D) Depth	C1	C2	C3	Viewing Area	
							Front	Side
31H Front	85 ³ / ₁₆ "	38 ⁹ / ₁₆ "	19 ¹³ / ₁₆ "	7 ⁷ / ₈ "	19 ⁵ / ₁₆ "	9 ⁹ / ₁₆ "	30 ⁵ / ₈ " W X 64 ¹⁵ / ₁₆ " H	—

Note : 1. Drawings are not to Scale
2. All dimensions in inches