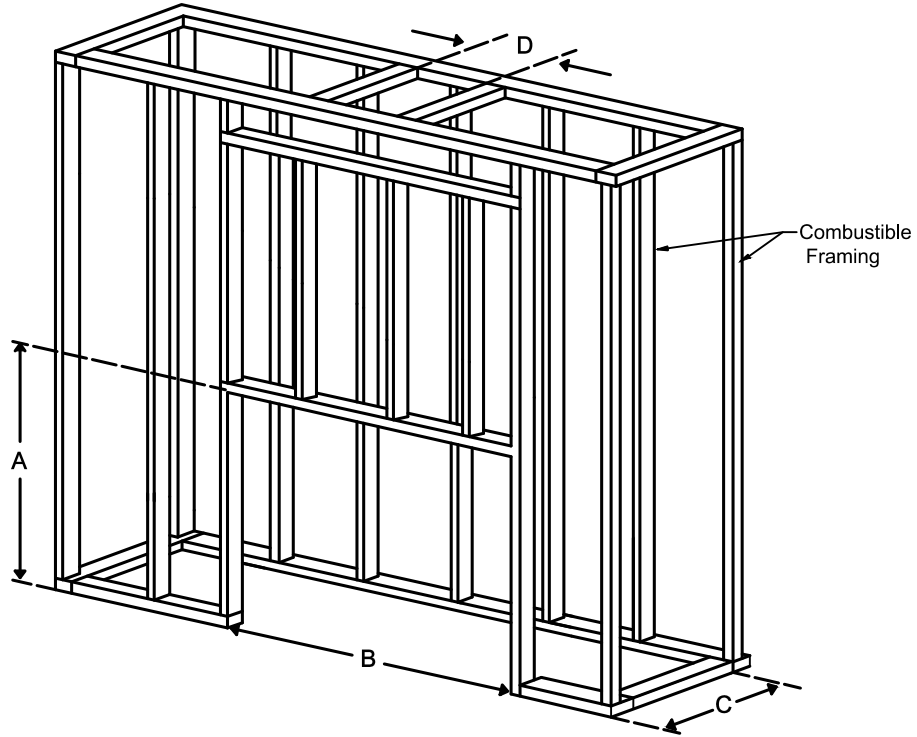


Framing Information: 31 Front (Screen & Double Glass)

ORTAL
YOUR LIFE. YOUR FIRE

Framing Dimensions



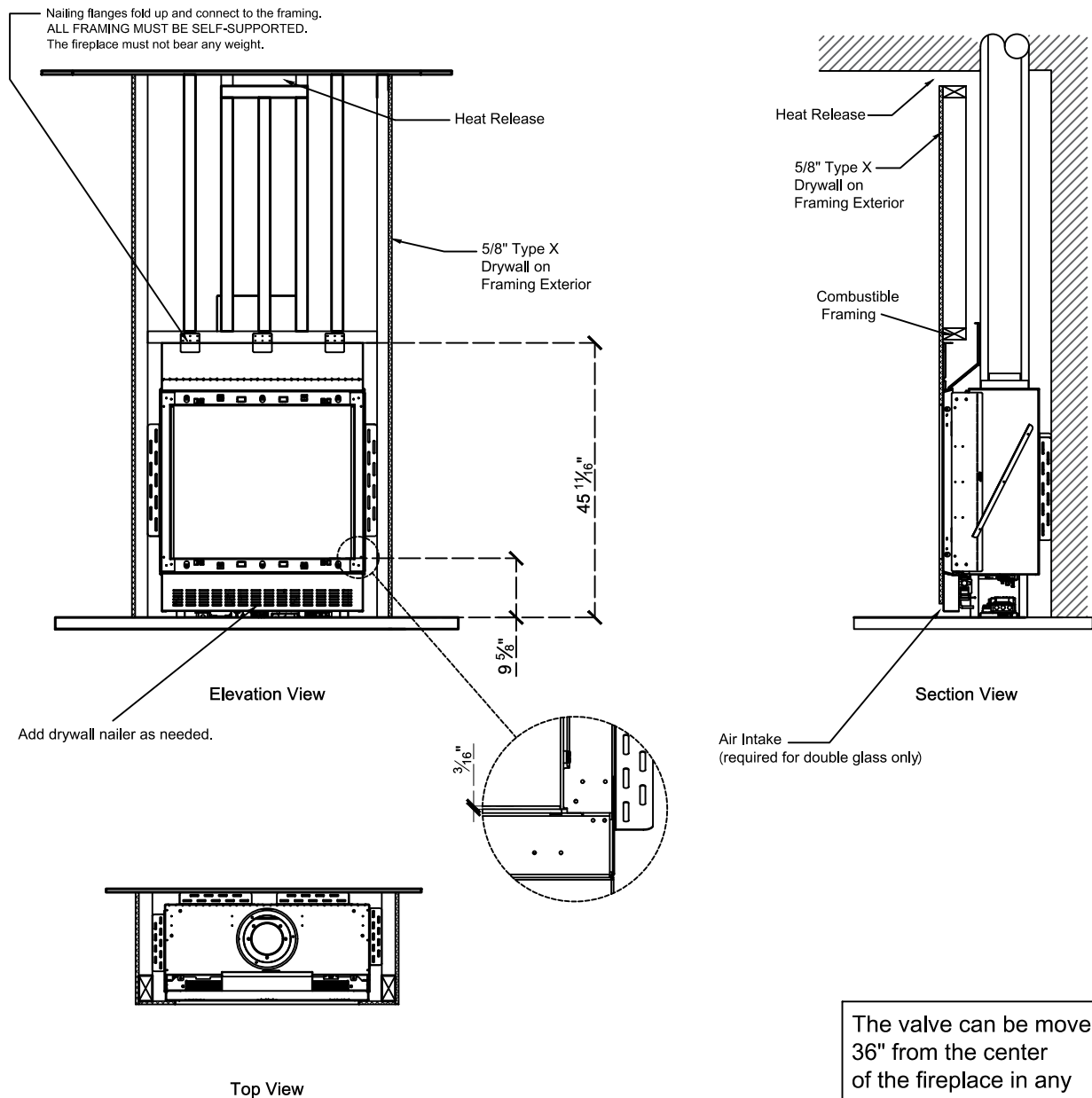
Model	A	B	C	D
31 Front	45 $\frac{1}{16}$ "	38 $\frac{3}{16}$ "	18"	Refer to Vent Manufacturer's Firestop Dimensions

Note : 1. Drawings are not to Scale
 2. All dimensions in inches
 3. No weight can be transferred to the fireplace. ALL FRAMING MUST BE SELF-SUPPORTED.

Framing Information: 31 Front (Screen & Double Glass)



Framing Details

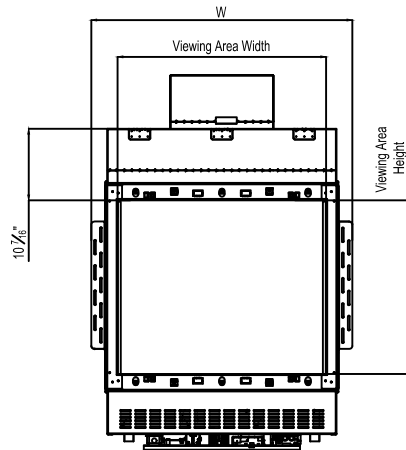


- Note :
1. Drawings are not to Scale
 2. All dimensions in inches
 3. No weight can be transferred to the fireplace. ALL FRAMING MUST BE SELF-SUPPORTED.

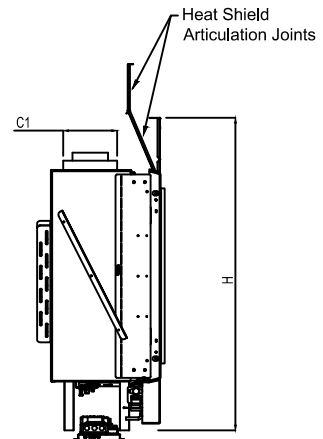
Framing Information: 31 Front (Screen & Double Glass)



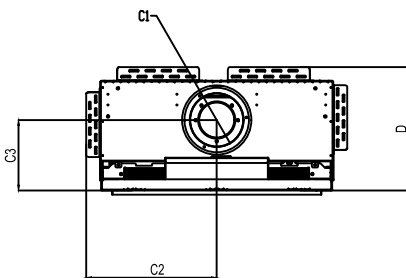
Fireplace Dimensions



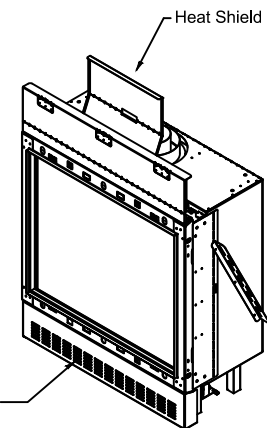
Front View



Side View



Top View



Protective Cover for double glass fans. Ships on double glass models only.

Model	(H) Height	(W) Width	(D) Depth	C1	C2	C3	Viewing Area	
							Front	Side
31 Front	45 1/16"	38 3/16"	18"	7 7/8"	19 1/16"	10 1/4"	30 5/8" W X 25 9/16" H	—

Note : 1. Drawings are not to Scale
2. All dimensions in inches