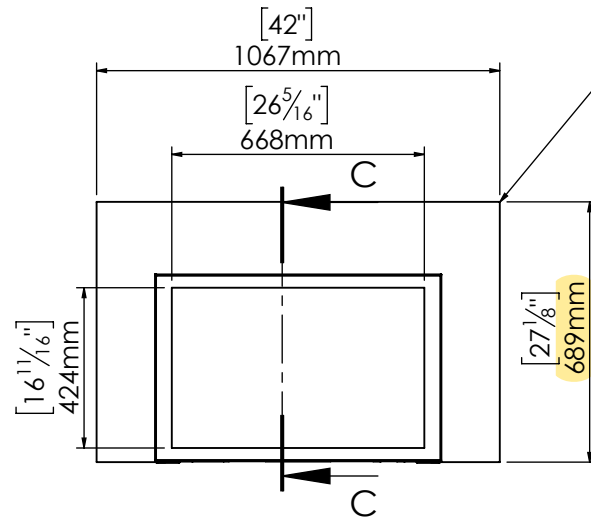
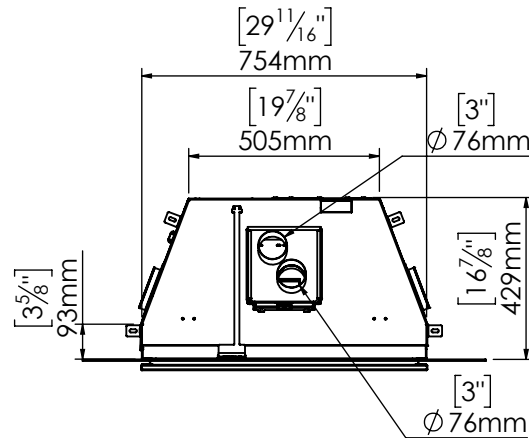
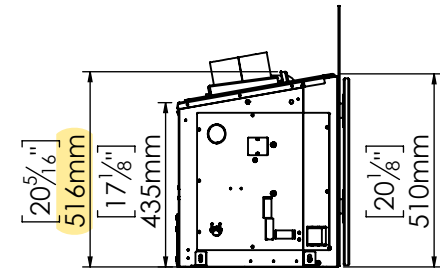


SECTION C-C
SCALE 1 : 20



Shroud five option



ORTAL

YOUR LIFE. YOUR FIRE

IN29

