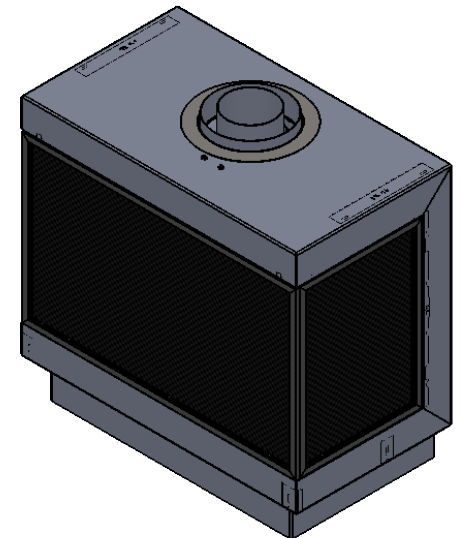
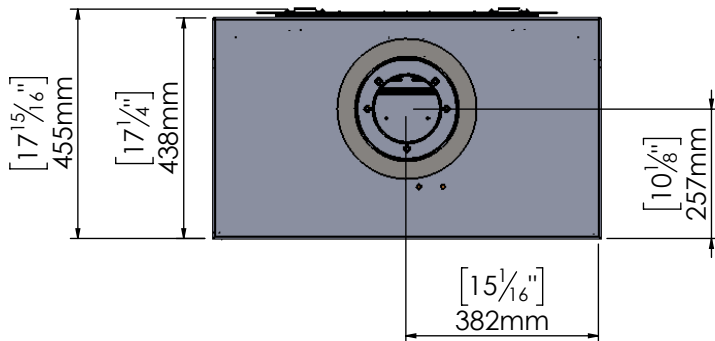
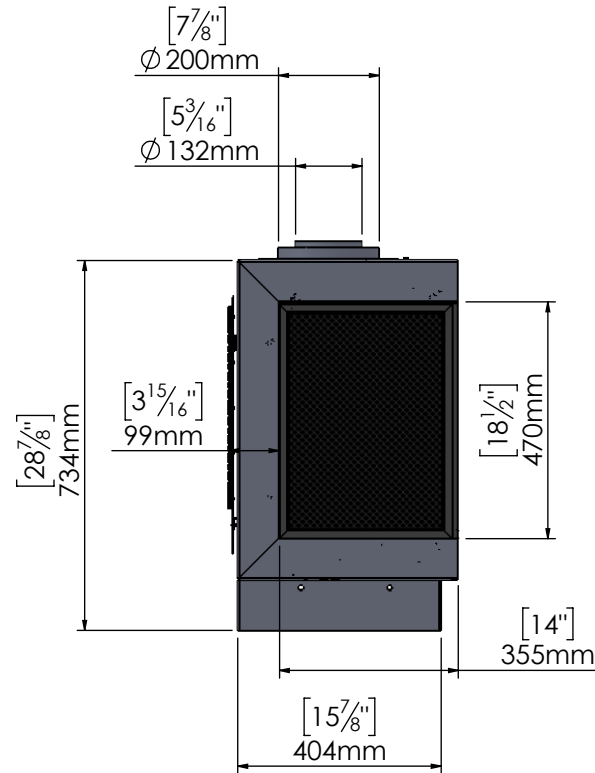
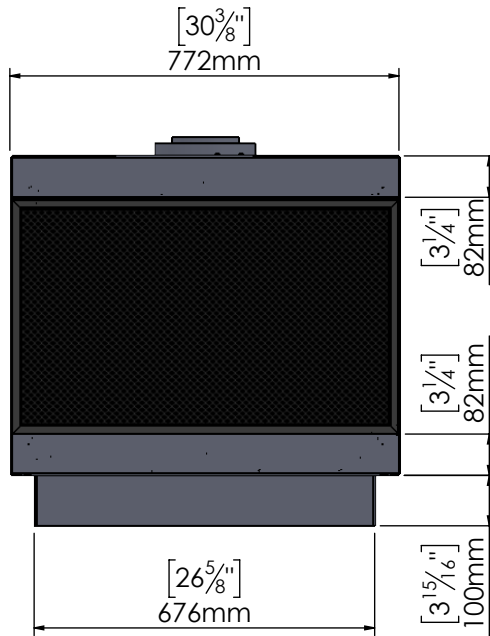
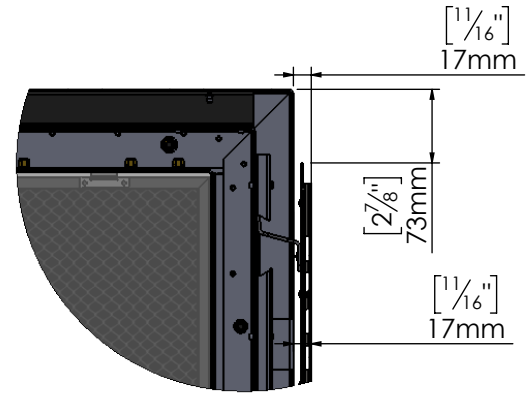
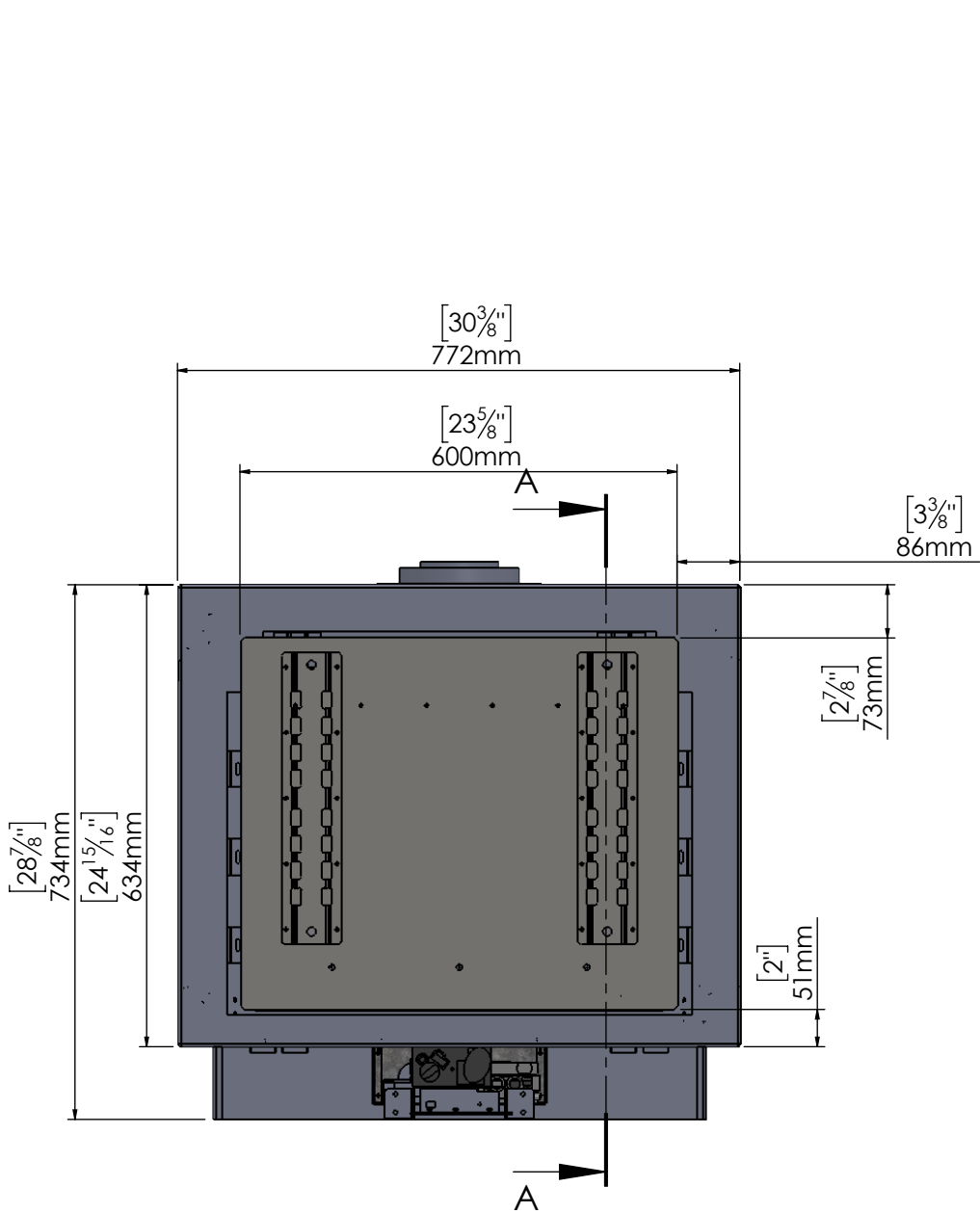


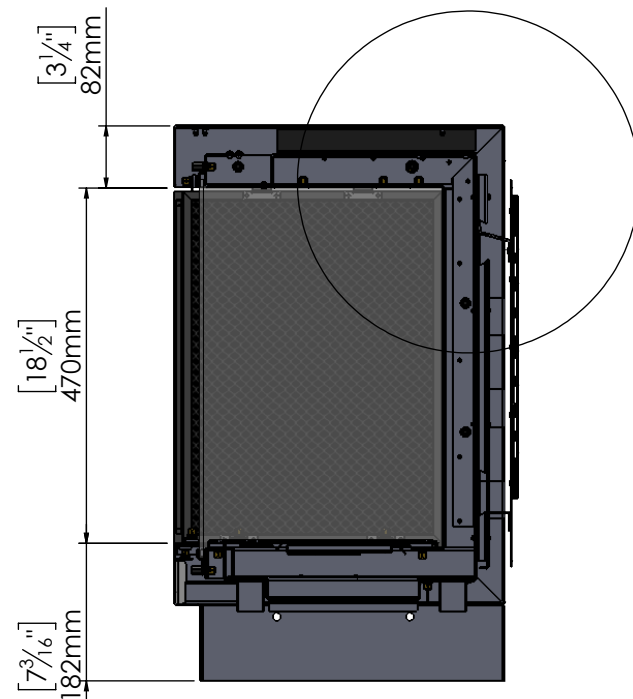
# Wilderness 75 TS Stand Alone Screen



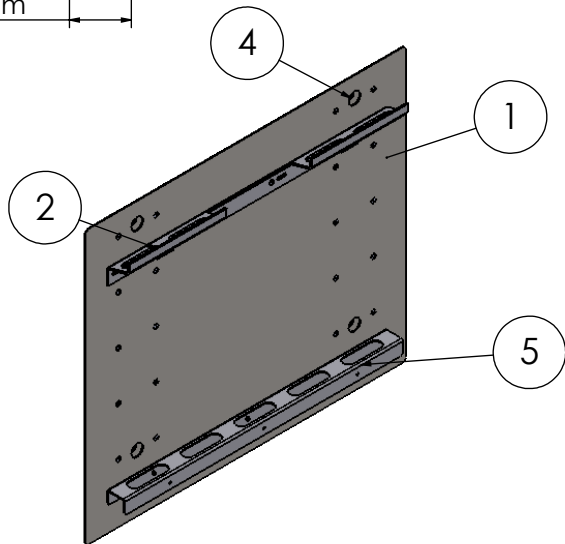
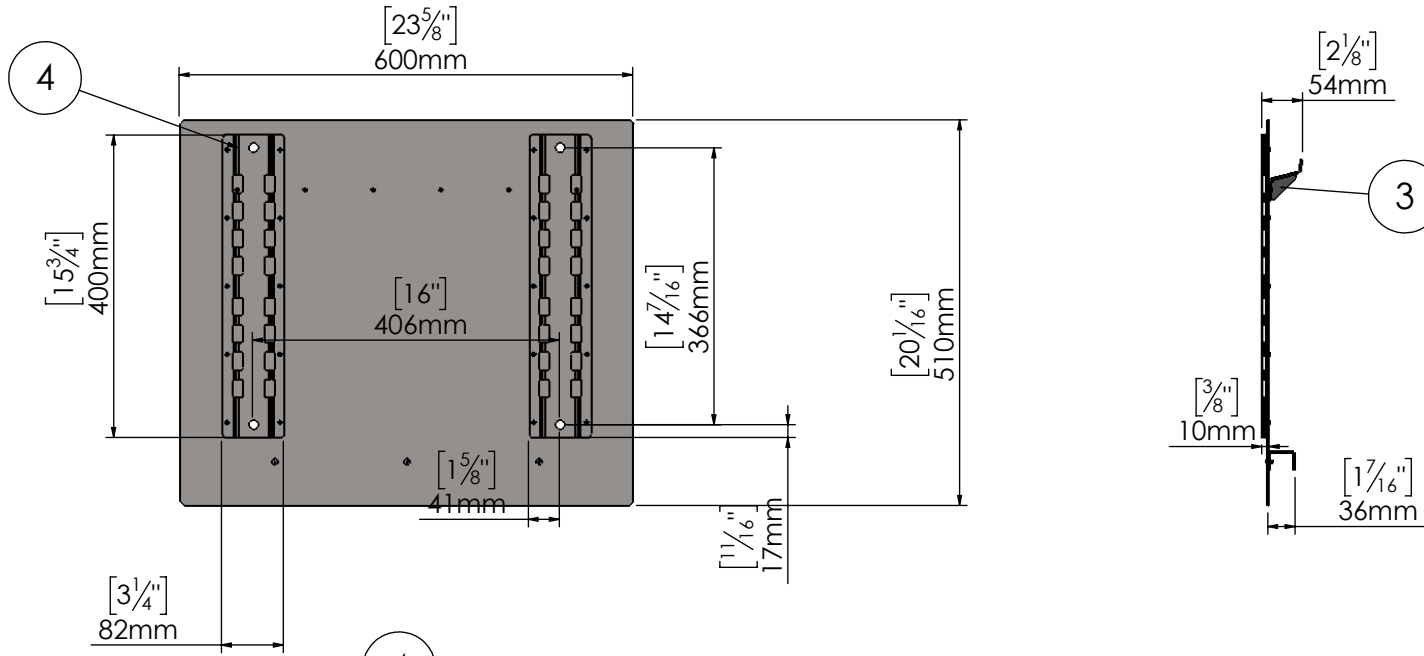
# Wilderness 75 TS Stand Alone Screen



DETAIL C  
SCALE 2 : 15



SECTION A-A  
SCALE 1 : 10



| ITEM NO. | PART NUMBER   | DESCRIPTION | QTY. |
|----------|---------------|-------------|------|
| 1        | 75TSSTAWMB001 | RADIATOR    | 1    |
| 2        | 75TSSTAWMB003 | BRACKET     | 1    |
| 3        | 75TSSTAWMB004 | RIB         | 2    |
| 4        | ATSSTAWMB001  | PLATE       | 2    |
| 5        | 75TSSTAWMB002 | STOPPER     | 1    |