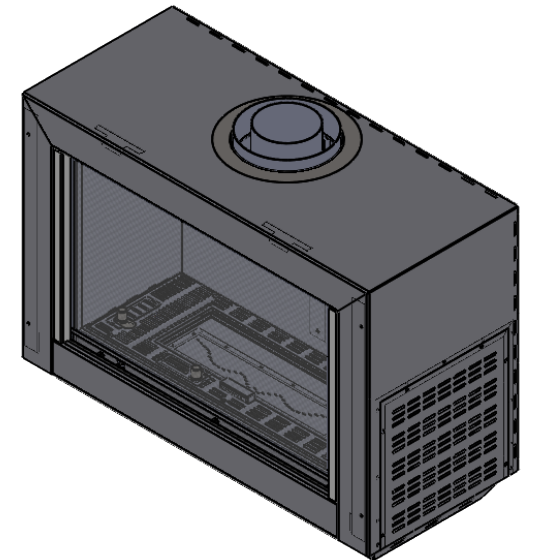
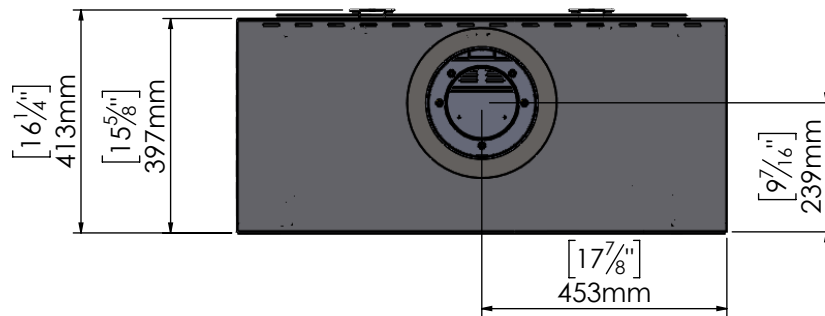
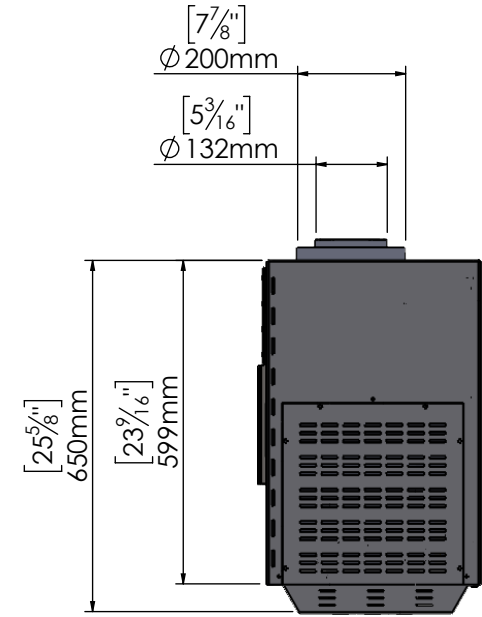
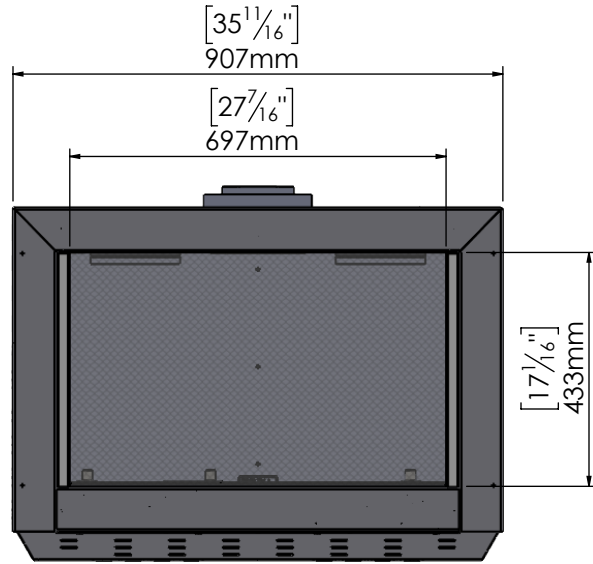
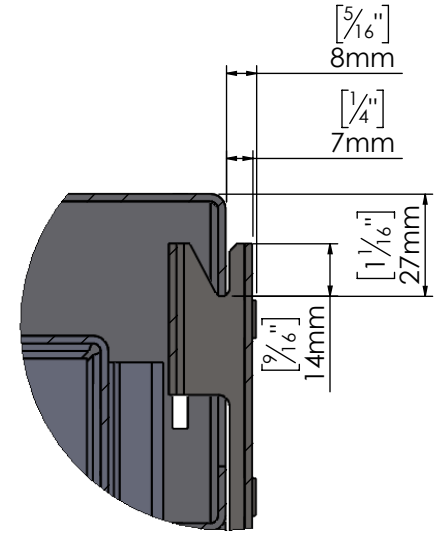


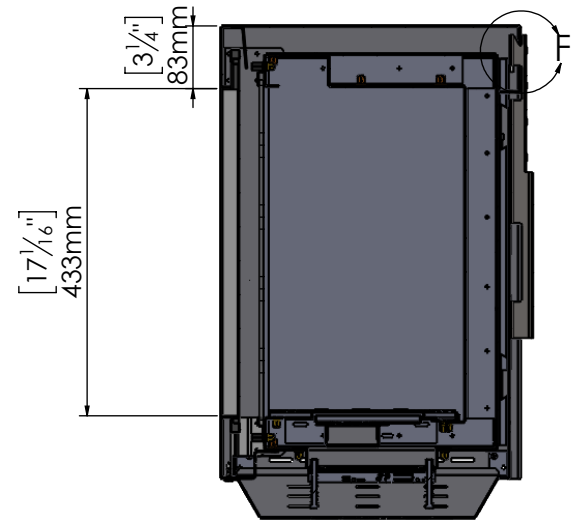
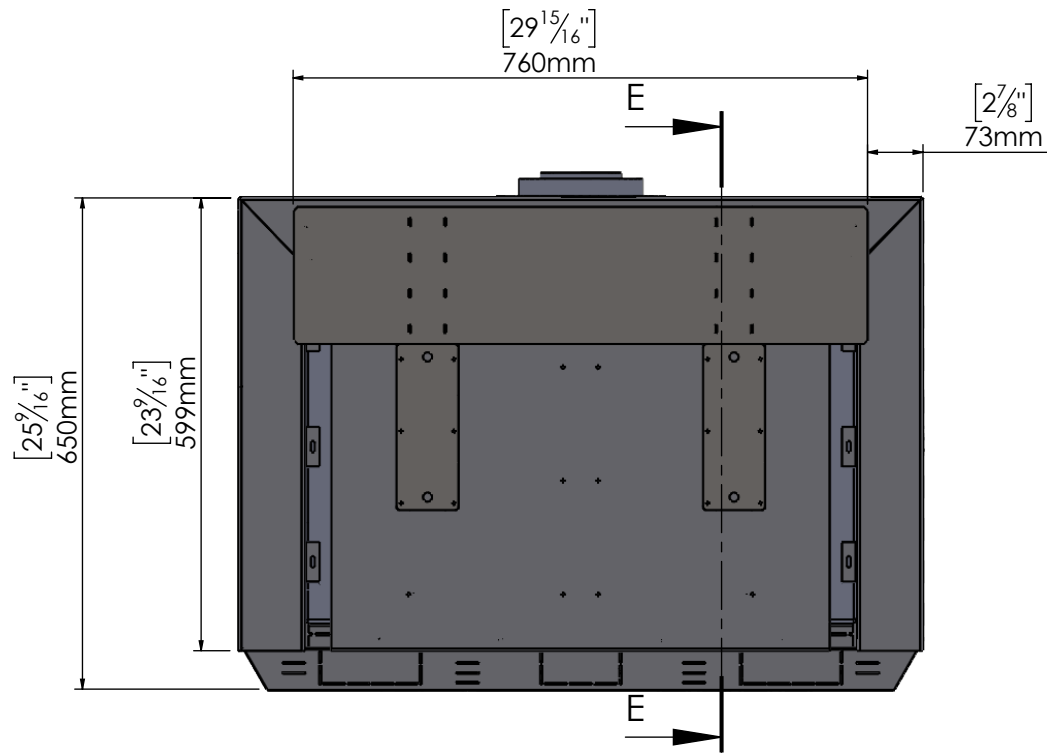
# Wilderness 75 Front Stand Alone Screen



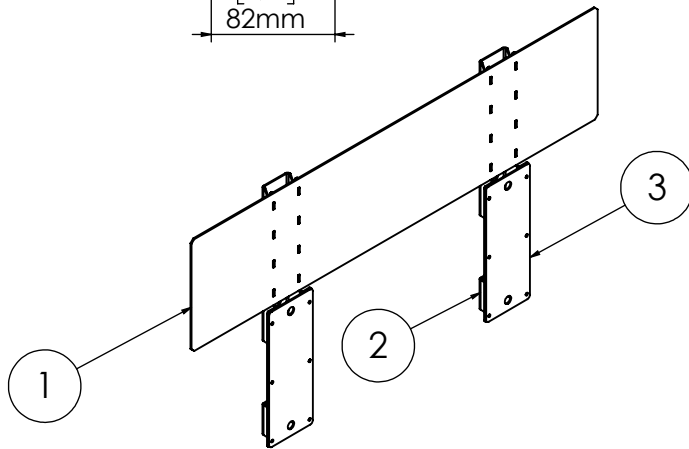
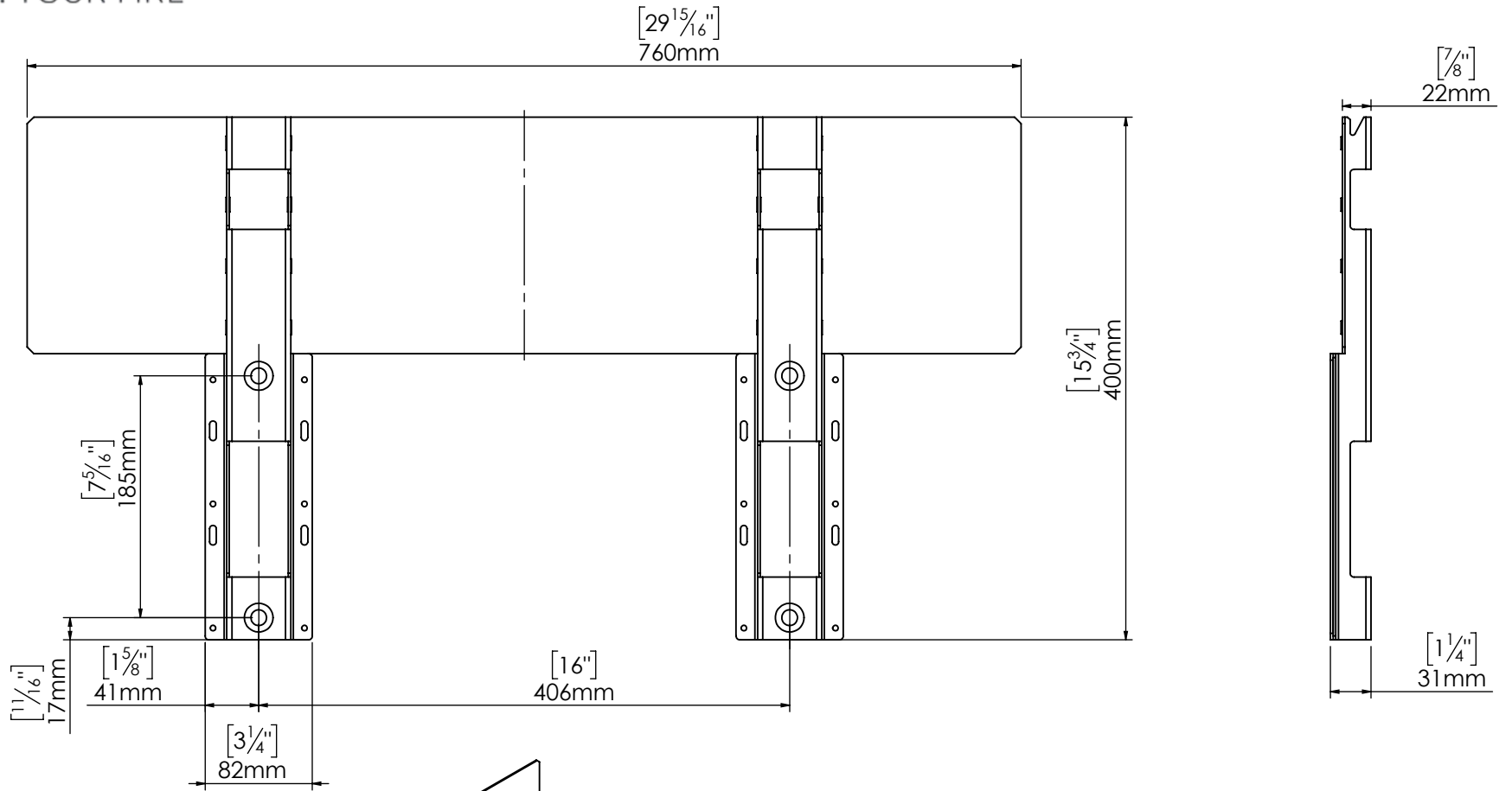
# Wilderness 75 Front Stand Alone Screen



DETAIL F  
SCALE 1 : 2



SECTION E-E  
SCALE 1 : 10



ITEM NO.	PART NUMBER	DESCRIPTION	QTY.
1	75FSTAWMB001	RADIATOR	1
2	FSTAWMB001	HOOK	2
3	FSTAWMB002	PLATE	2