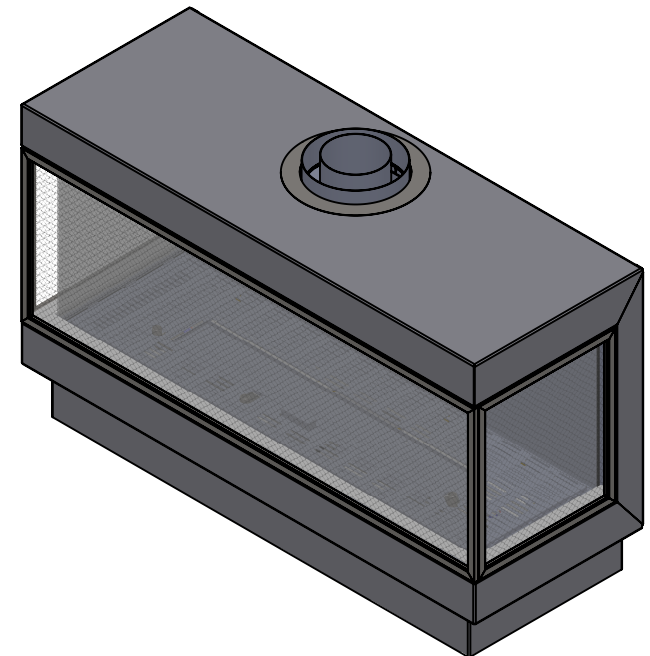
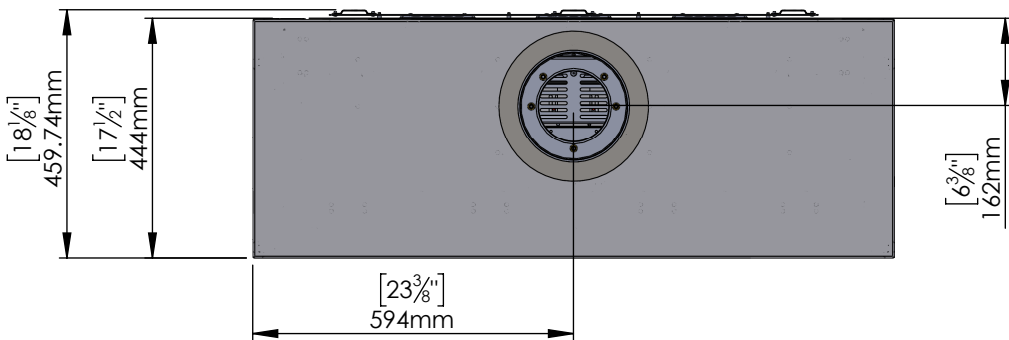
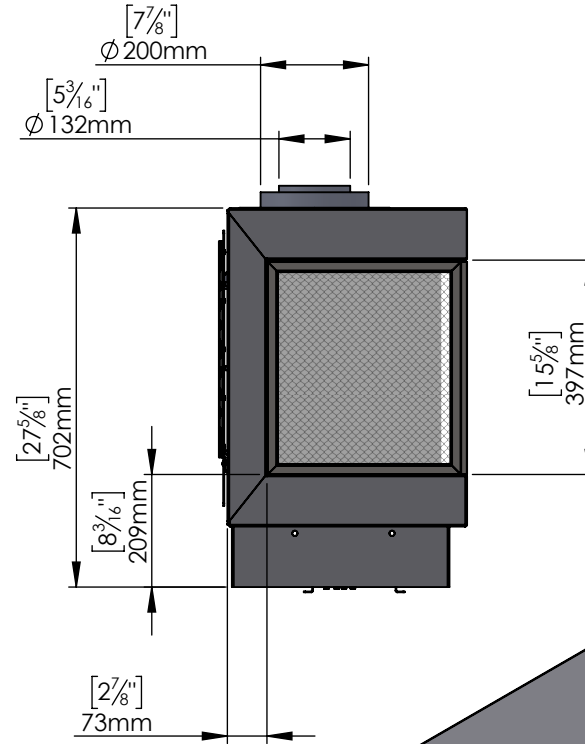
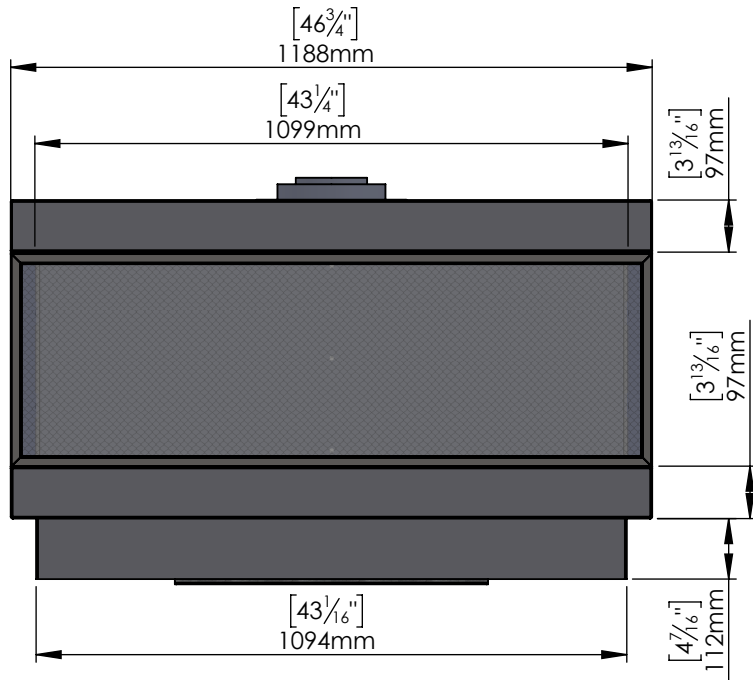
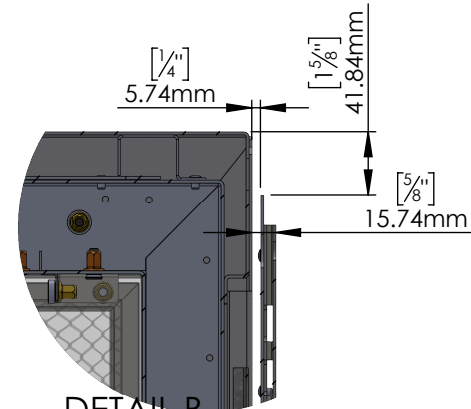
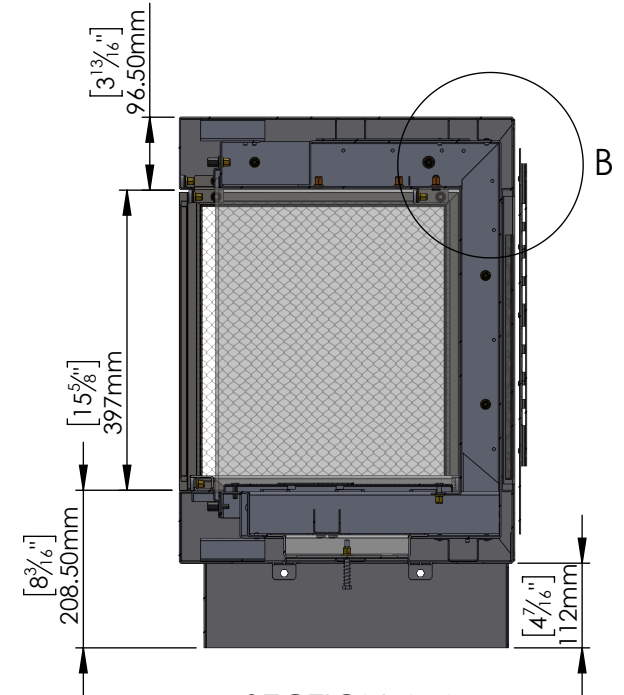
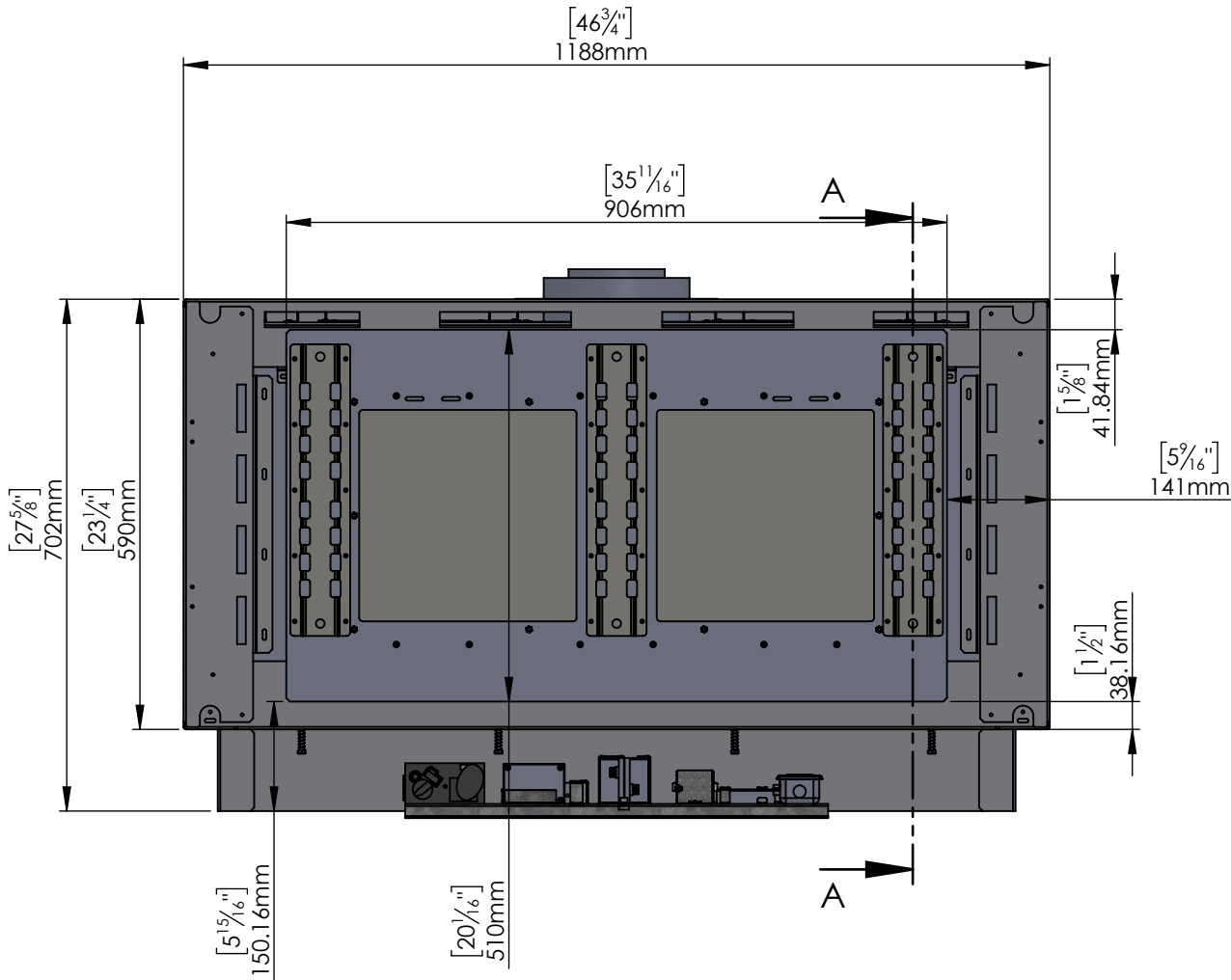


Wilderness 110TS Stand Alone Screen

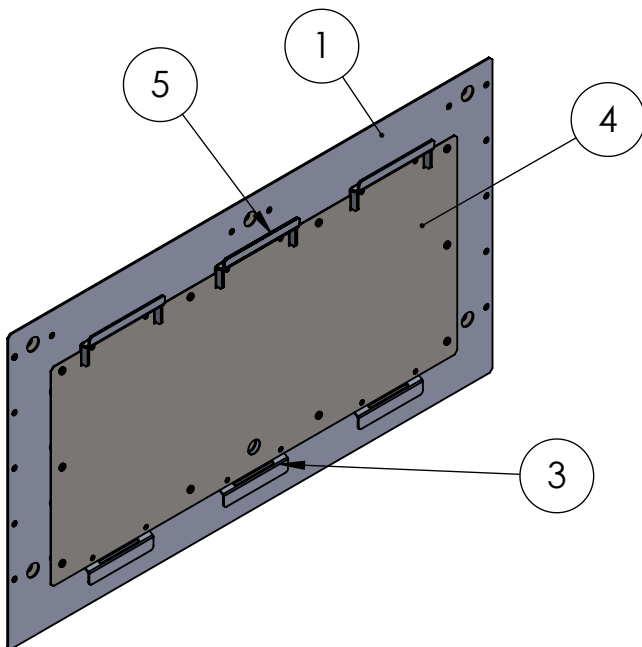
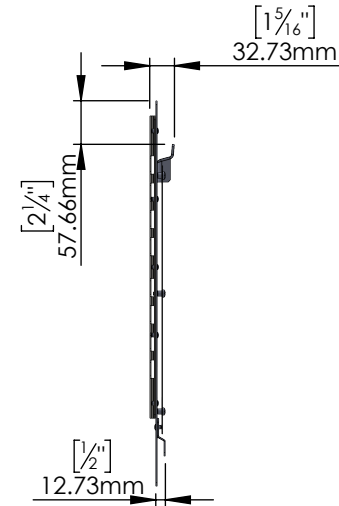
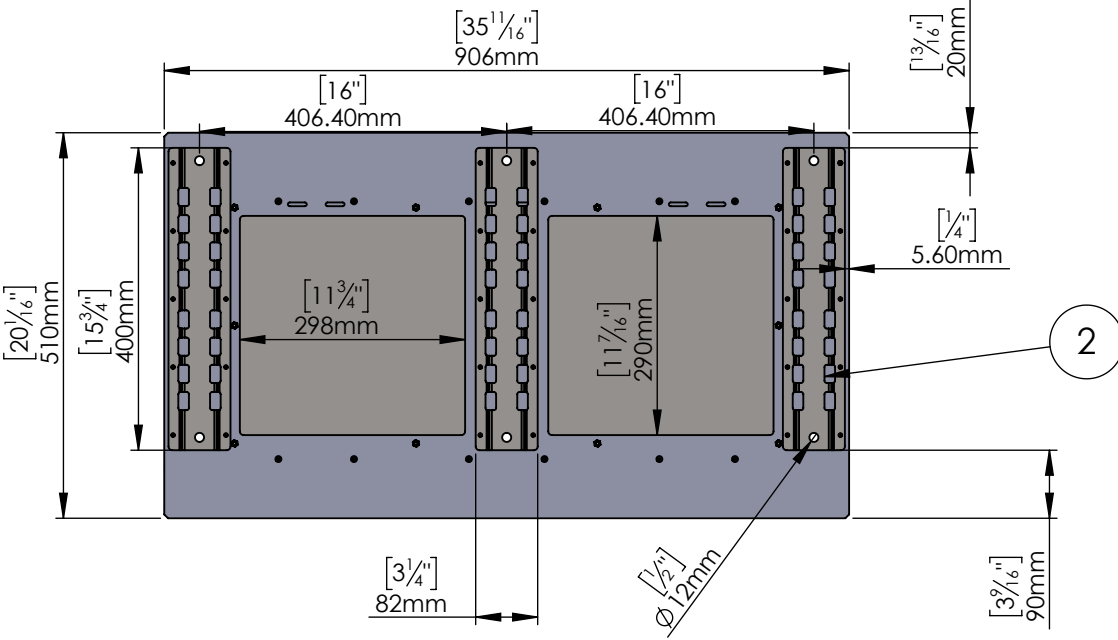




DETAIL B
SCALE 1 : 5



SECTION A-A
SCALE 1 : 10



ITEM NO.	PART NUMBER	DESCRIPTION	QTY.
1	110TSSTAWMB002	RADIATOR	1
2	ATSSTAWMB001	PLATE	3
3	110TSSTAWMB003	STOPPER	3
4	110TSSTAWMB004	SCREEN	1
5	110TSSTAWMB001	BRACKET	4