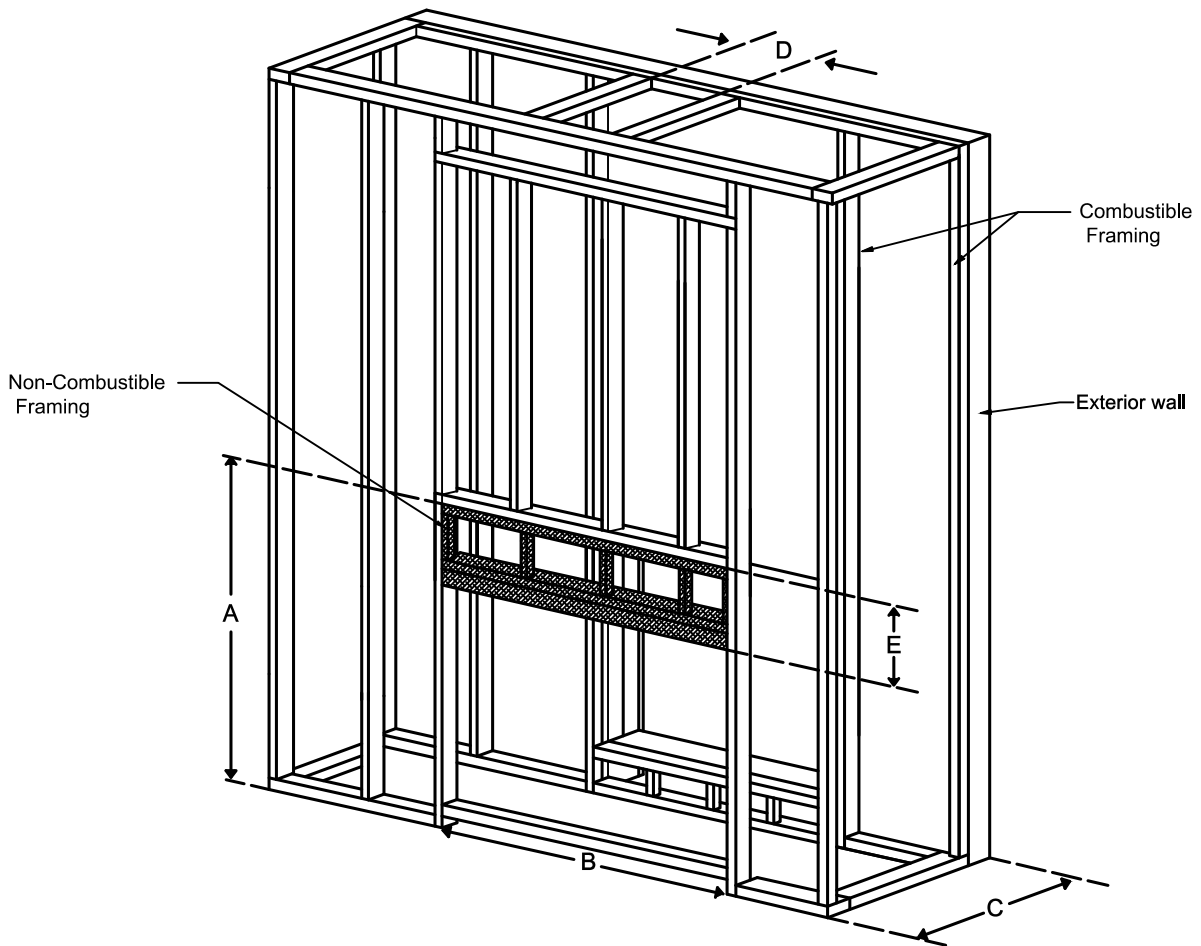


Framing Information: 75x65 Indoor-Outdoor Tunnel



Framing Dimensions



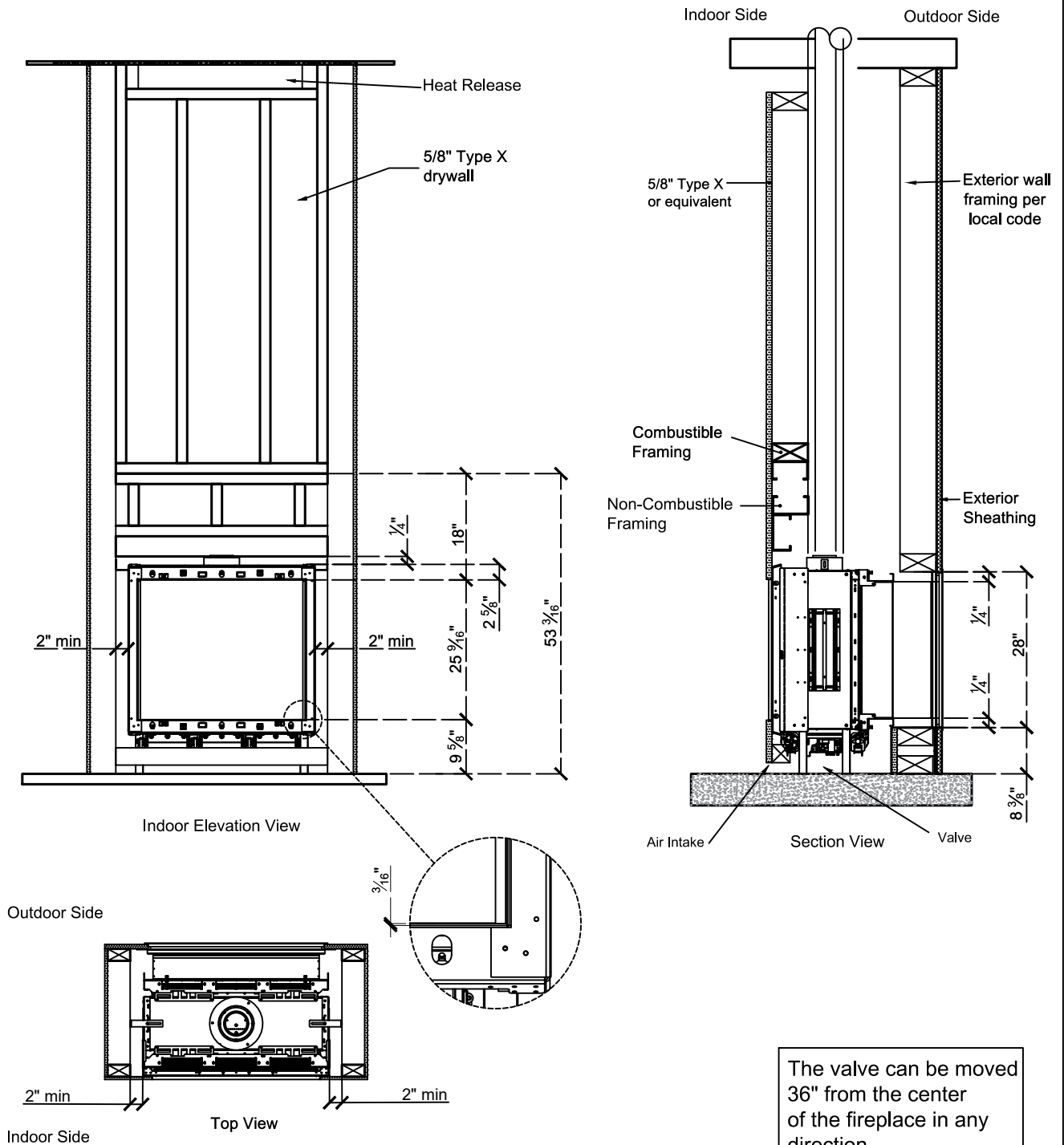
Model	A	B	C		D	E
			MIN	MAX		
75x65	53 $\frac{3}{16}$ "	40 $\frac{1}{8}$ "	24 $\frac{3}{16}$ "	26 $\frac{7}{8}$ "	Refer to Vent Manufacturer's Firestop Dimensions	15 $\frac{1}{8}$ "

Note : 1. Drawings are not to Scale
 2. All dimensions in inches
 3. No weight can be transferred to the fireplace. ALL FRAMING MUST BE SELF-SUPPORTED.

Framing Information: 75x65 Indoor-Outdoor Tunnel



Framing Details

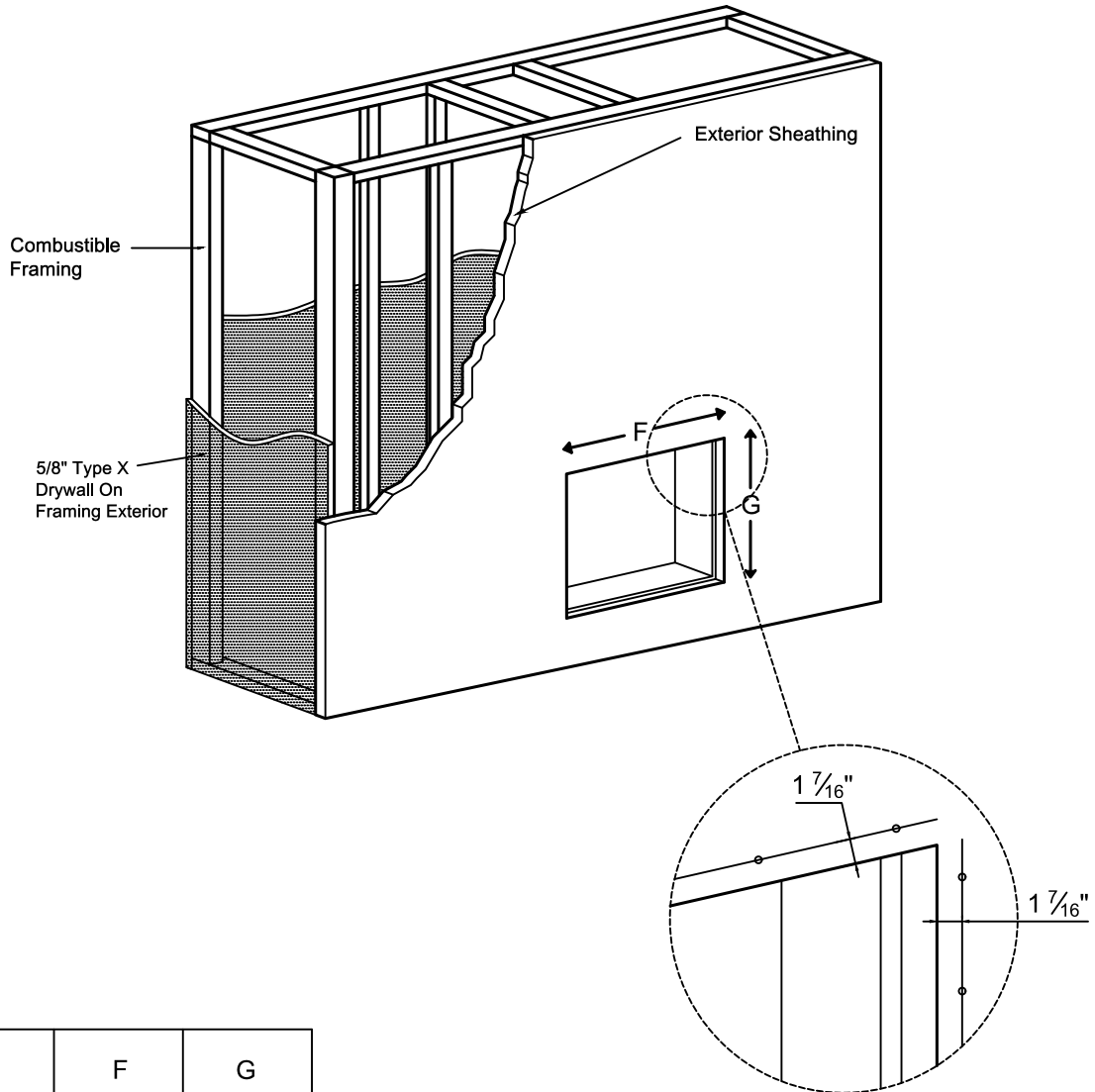


- Note :
1. Drawings are not to Scale
 2. All dimensions in inches
 3. No weight can be transferred to the fireplace. ALL FRAMING MUST BE SELF-SUPPORTED.

Framing Information: 75x65 Indoor-Outdoor Tunnel



Exterior Framing Details



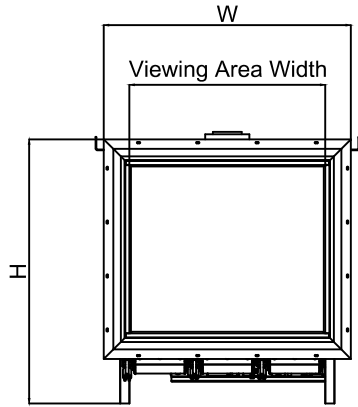
Model	F	G
75x65	32 1/4"	28 1/4"

Note : 1. Drawings are not to Scale
 2. All dimensions in inches

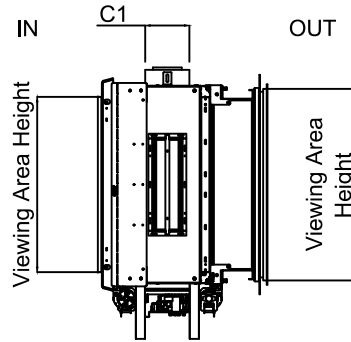
Framing Information: 75x65 Indoor-Outdoor Tunnel



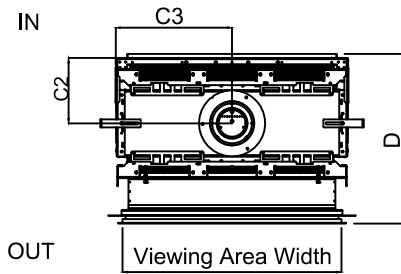
Fireplace Dimensions



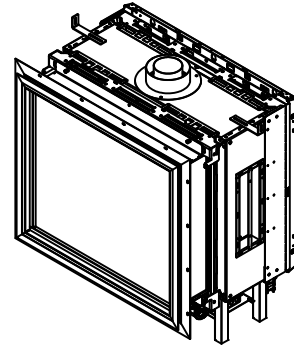
Outdoor Front View



Side View



Top View



Model	(H) Height	(W) Width	(D) fixed Depth	C1	C2	C3	Viewing Area	
							IN	OUT
75x65	38"	36 1/8"	24 3/16"	6 7/16"	9 9/16"	18 1/16"	28 5/8" W X 25 9/16" H	32" W X 28" H

Note : 1. Drawings are not to Scale
 2. All dimensions in inches

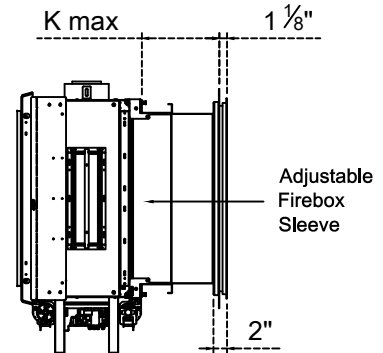
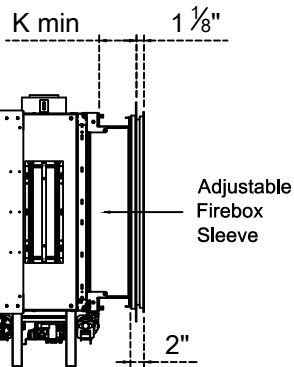
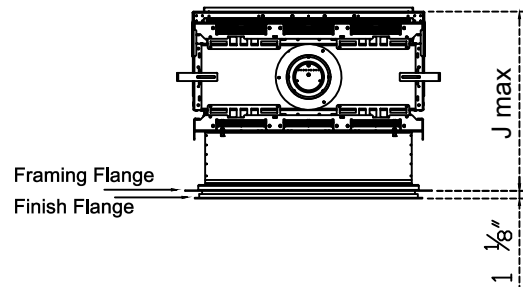
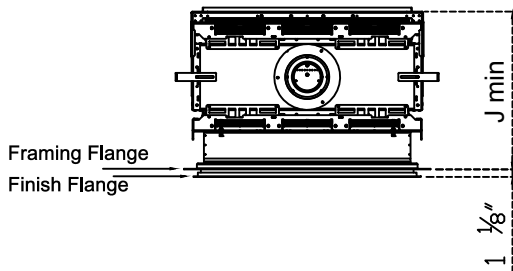
Framing Information: 75x65 Indoor-Outdoor Tunnel



Fireplace Dimensions

Minimum depth

Maximum depth



Model	J min	J max	K min	K max
75x65	23 ¹ / ₁₆ "	25 ³ / ₄ "	5 ³ / ₈ "	8 ¹ / ₁₆ "

Note : 1. Drawings are not to Scale
2. All dimensions in inches