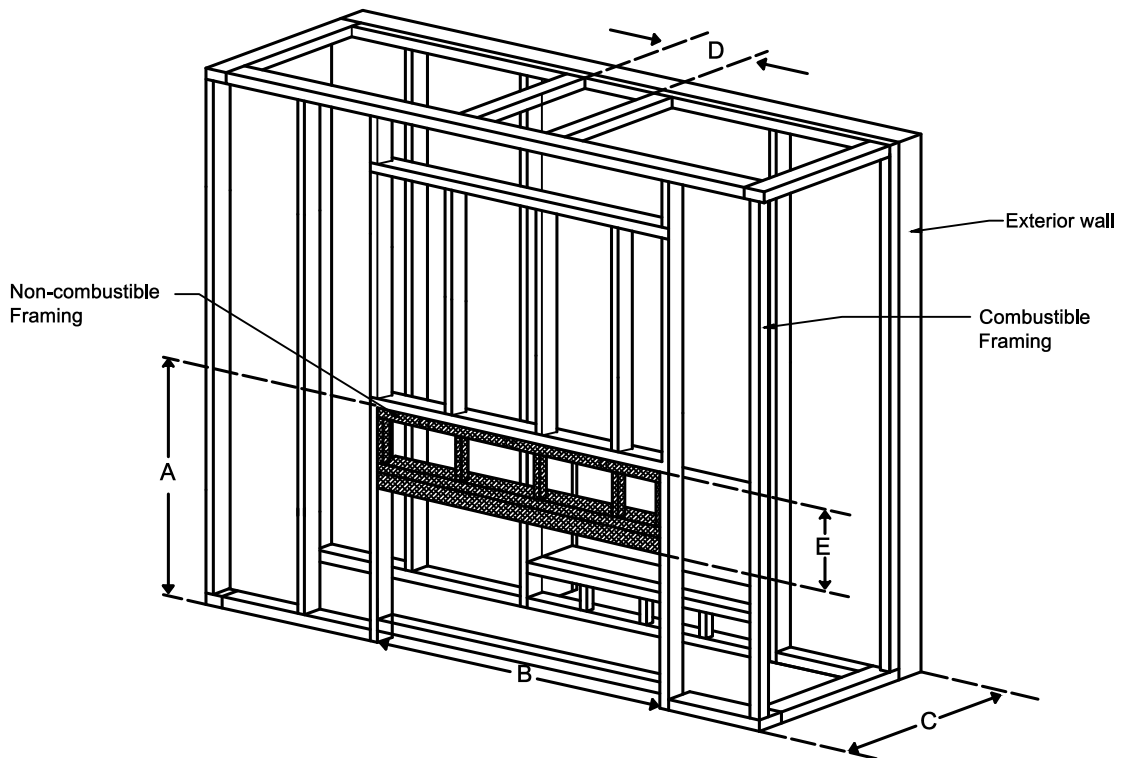


Framing Information: 60x80 Indoor-Outdoor Tunnel DG



Framing Dimensions



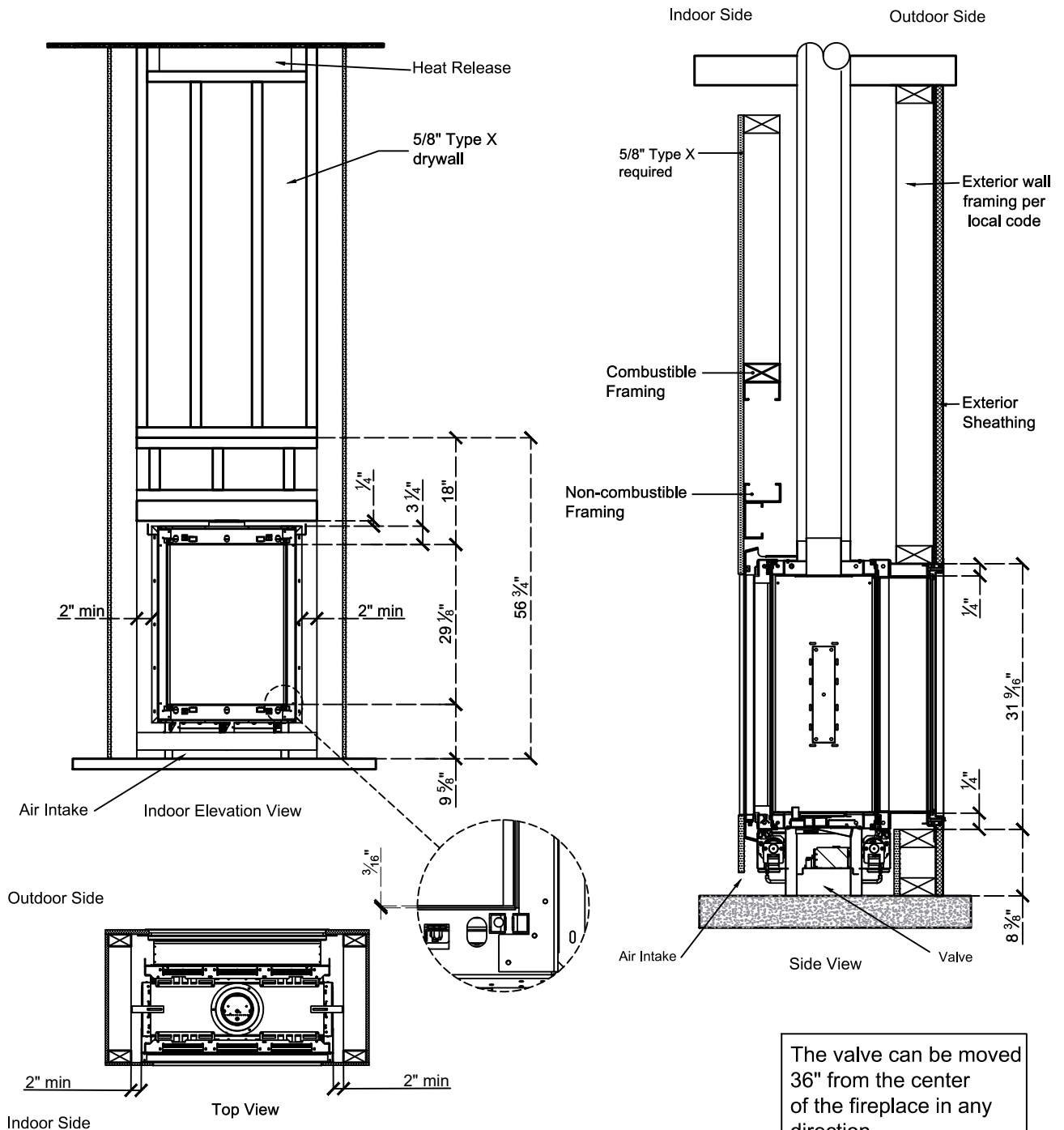
Model	A	B	C		D	E
			MIN	MAX		
60x80	56 ³ / ₄ "	31 ³ / ₁₆ "	24"	26 ⁵ / ₈ "	Refer to Vent Manufacturer's Firestop Dimensions	14 ¹ / ₂ "

Note : 1. Drawings are not to Scale
 2. All dimensions in inches
 3. No weight can be transferred to the fireplace. ALL FRAMING MUST BE SELF-SUPPORTED.

Framing Information: 60x80 Indoor-Outdoor Tunnel DG



Framing Details

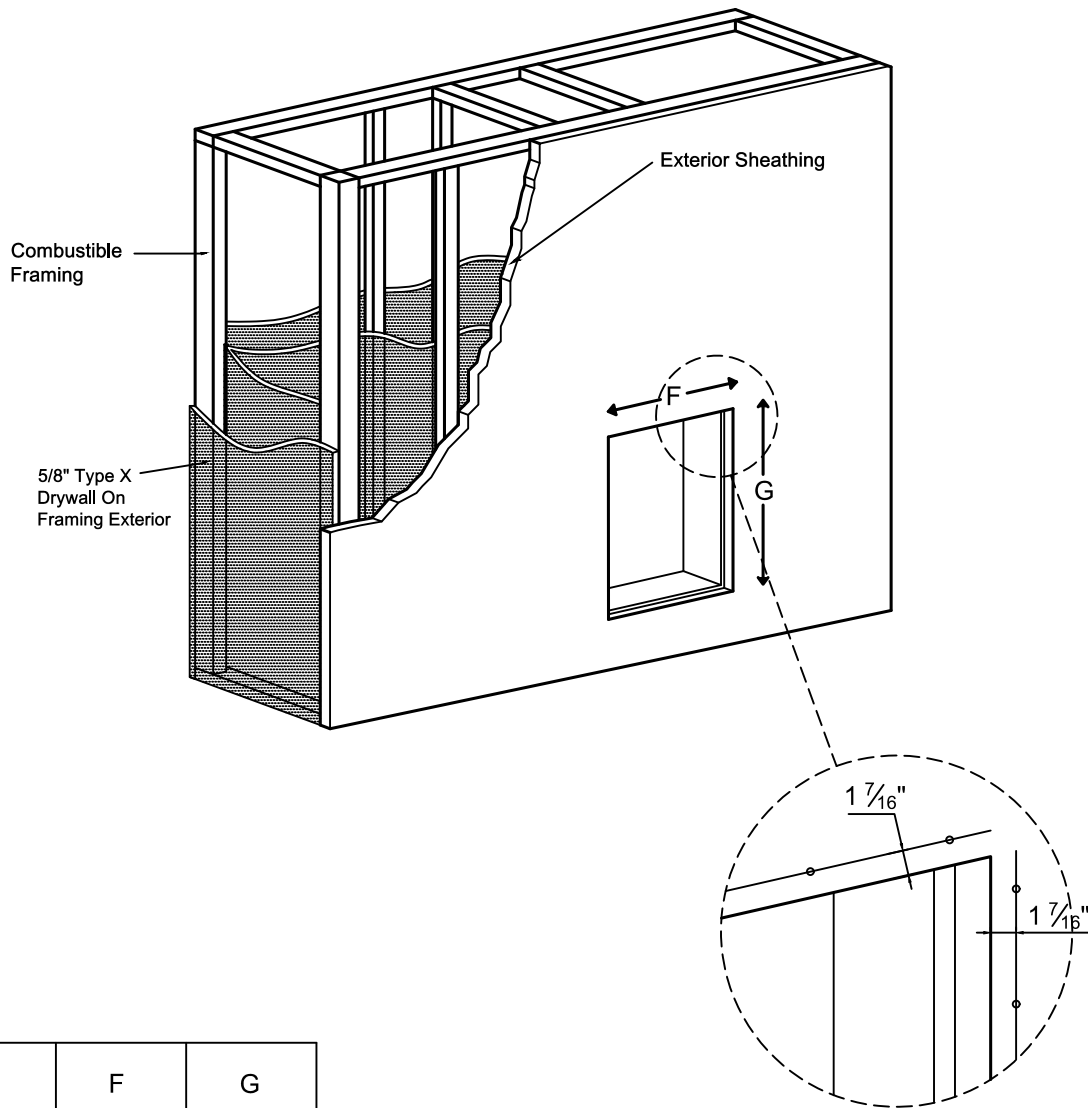


- Note :
1. Drawings are not to Scale
 2. All dimensions in inches
 3. No weight can be transferred to the fireplace. ALL FRAMING MUST BE SELF-SUPPORTED.

Framing Information: 60x80 Indoor-Outdoor Tunnel DG



Exterior Framing Details



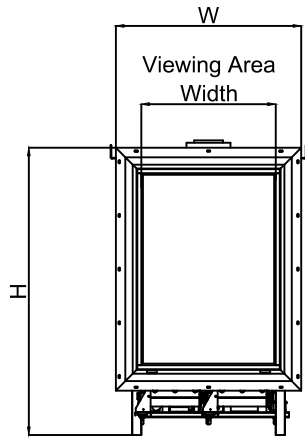
Model	F	G
60x80	24 ³ / ₈ "	32 ¹³ / ₁₆ "

Note : 1. Drawings are not to Scale
 2. All dimensions in inches

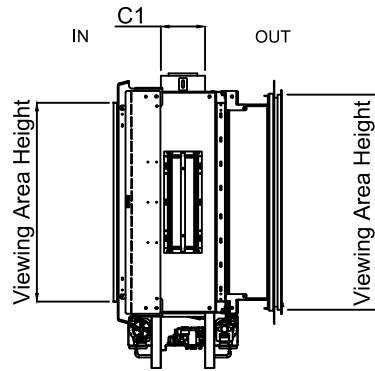
Framing Information: 60x80 Indoor-Outdoor Tunnel DG



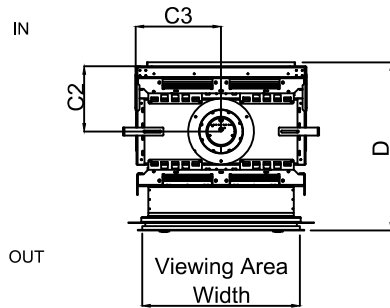
Fireplace Dimensions



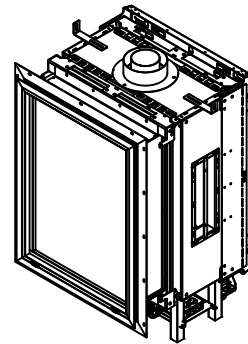
Outdoor Front View



Side View



Top View



Model	(H) Height	(W) Width	(D) fixed Depth	C1	C2	C3	Viewing Area	
							IN	OUT
60x80	42 1/8"	27 3/16"	24 9/16"	6 7/16"	9 9/16"	13 9/16"	21 3/4" W X 29 1/8" H	23 1/8" W X 31 9/16" H

Note : 1. Drawings are not to Scale
2. All dimensions in inches

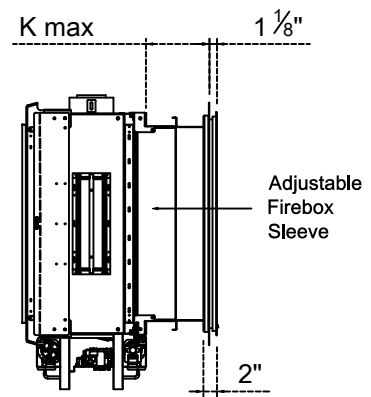
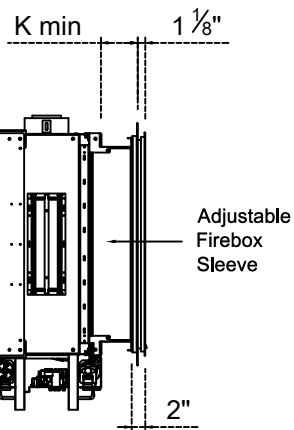
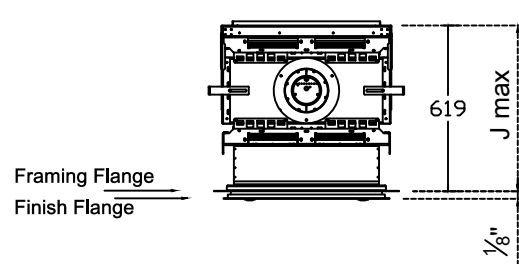
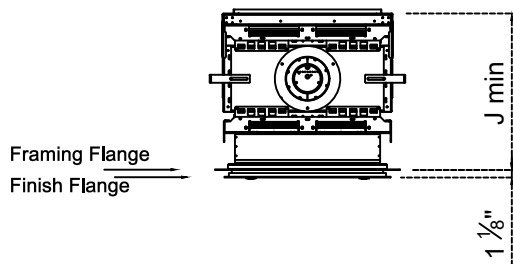
Framing Information: 60x80 Indoor-Outdoor Tunnel DG



Fireplace Dimensions

Minimum depth

Maximum depth



Model	J min	J max	K min	K max
60x80	22 ¹³ / ₁₆ "	25 ¹ / ₂ "	5 ³ / ₈ "	8 ¹ / ₁₆ "

Note : 1. Drawings are not to Scale
2. All dimensions in inches