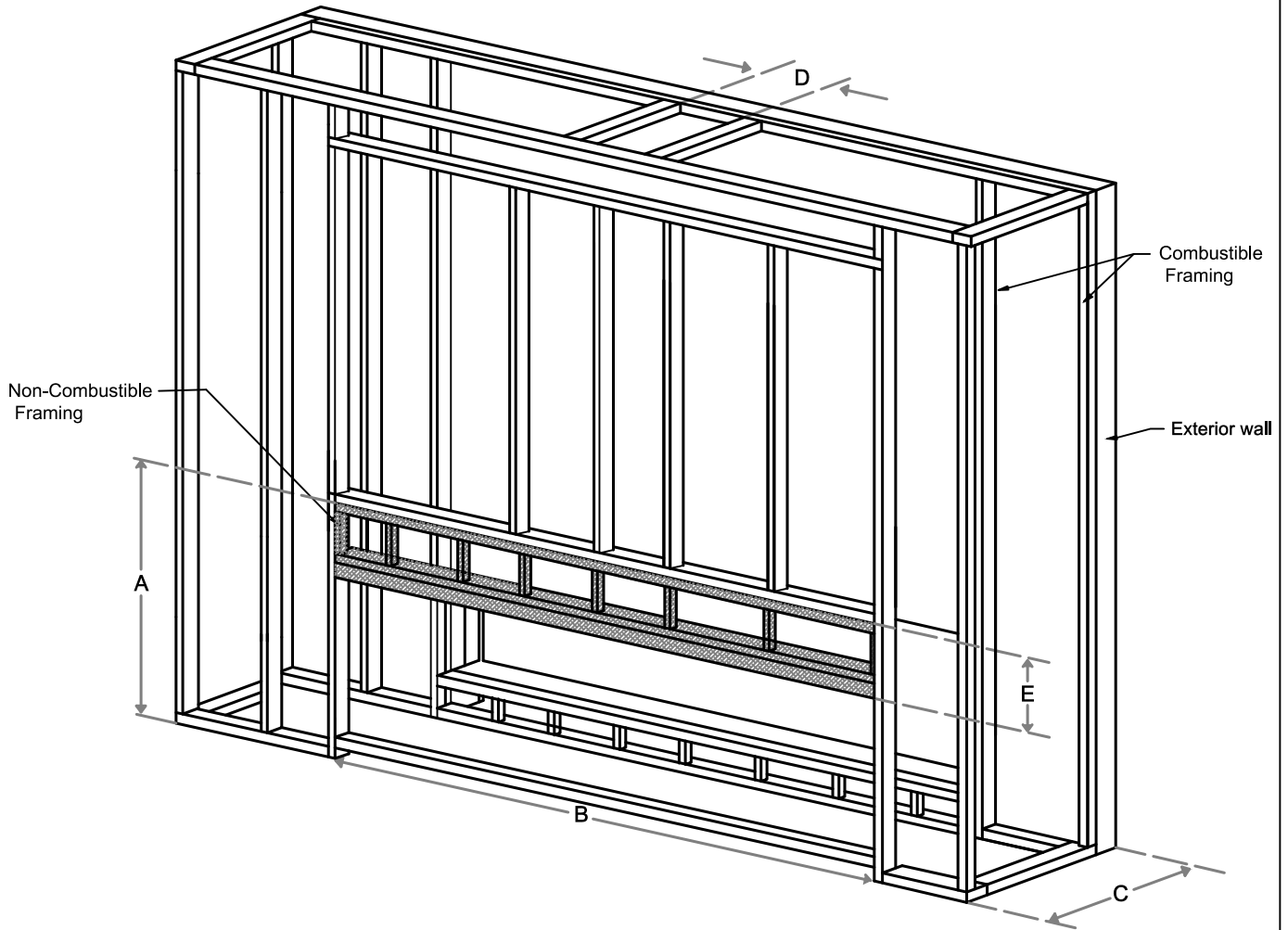


## Framing Information: 250H Indoor-Outdoor Tunnel



### Framing Dimensions



Model	A	B	C		D	E
			MIN	MAX		
250H	49 1/4"	105 1/16"	24 1/8"	26 13/16"	Refer to Vent Manufacturer's Firestop Dimensions	14"

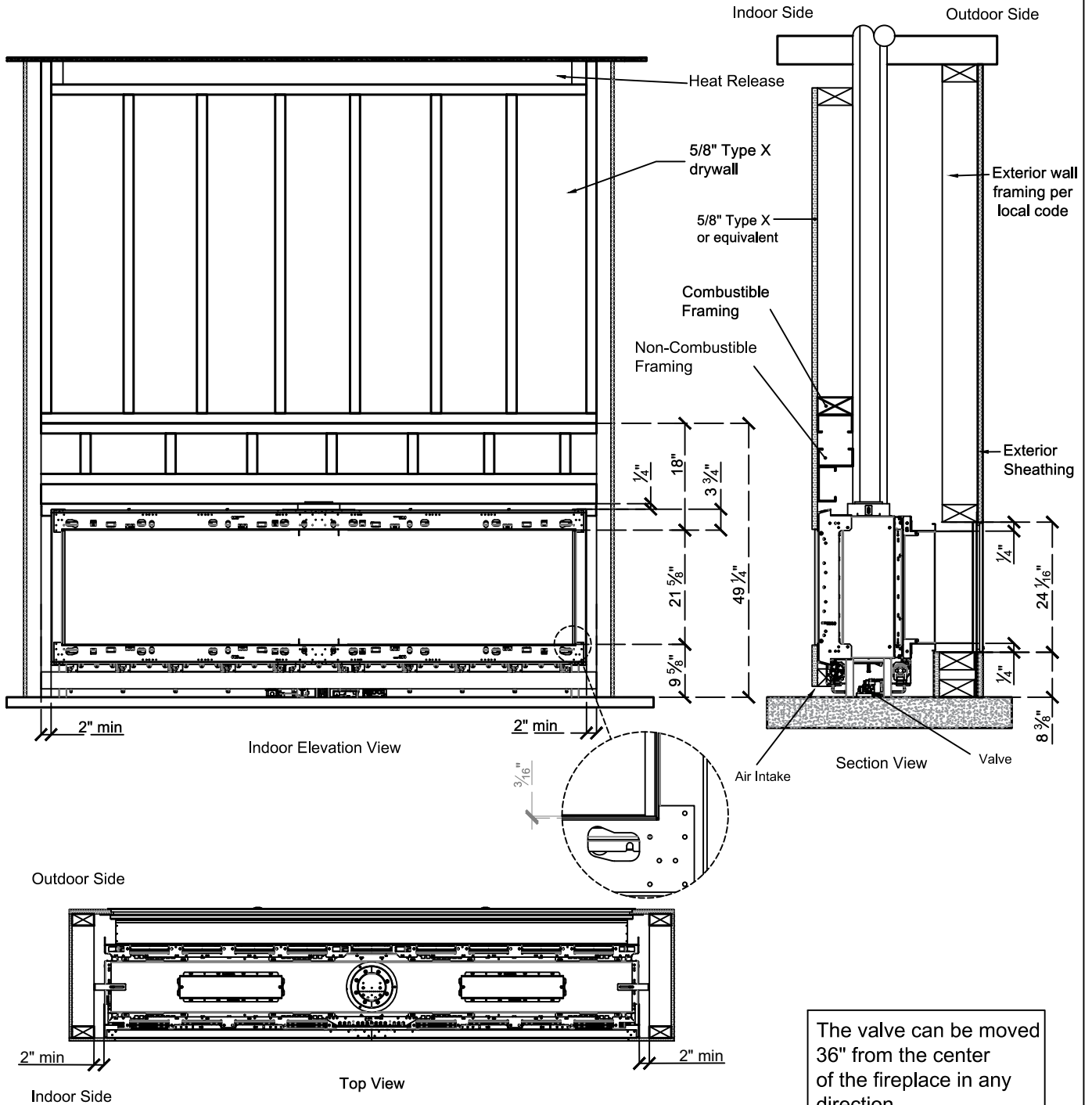
**Note :**

1. Drawings are not to Scale
2. All dimensions in inches
3. No weight can be transferred to the fireplace. ALL FRAMING MUST BE SELF-SUPPORTED.

# Framing Information: 250H Indoor-Outdoor Tunnel



## Framing Details

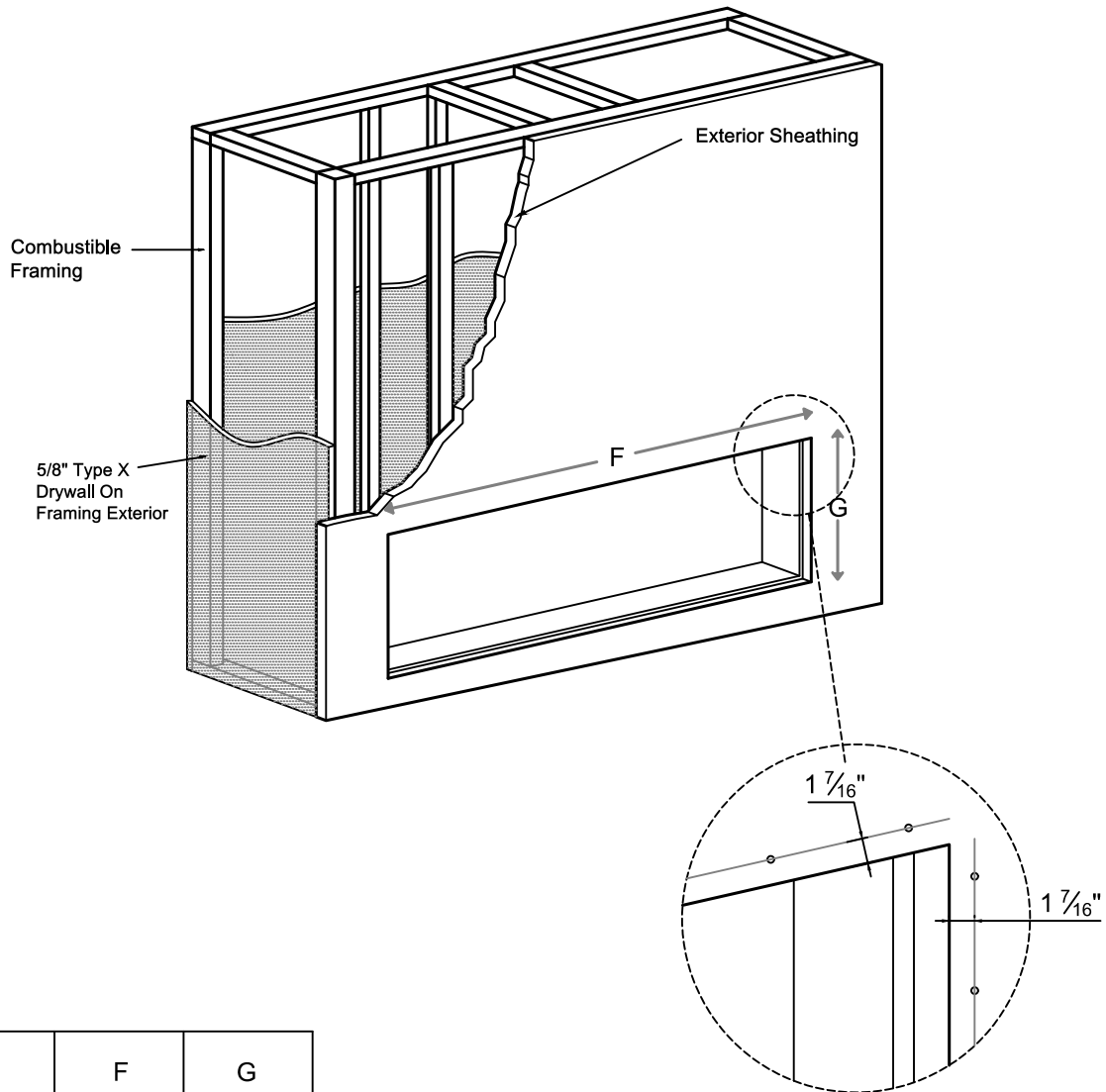


- Note :
1. Drawings are not to Scale
  2. All dimensions in inches
  3. No weight can be transferred to the fireplace. ALL FRAMING MUST BE SELF-SUPPORTED.

# Framing Information: 250H Indoor-Outdoor Tunnel



## Exterior Framing Details



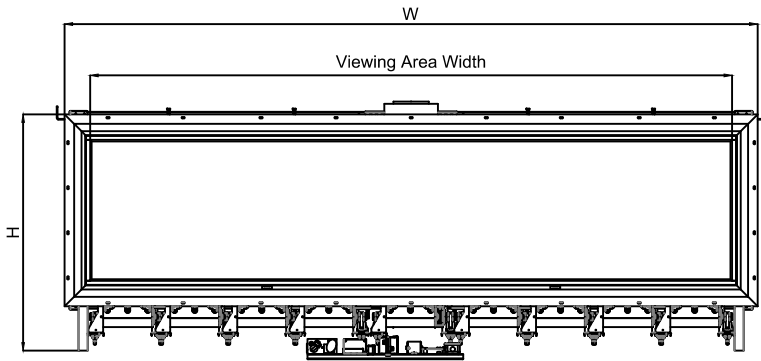
Model	F	G
250H	97 <sup>7</sup> / <sub>8</sub> "	24 <sup>5</sup> / <sub>16</sub> "

Note : 1. Drawings are not to Scale  
 2. All dimensions in inches

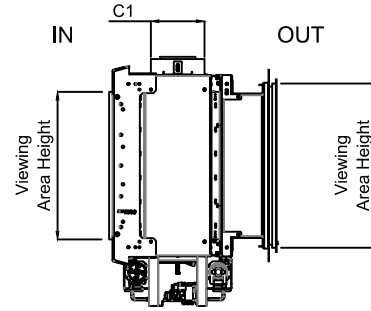
# Framing Information: 250H Indoor-Outdoor Tunnel



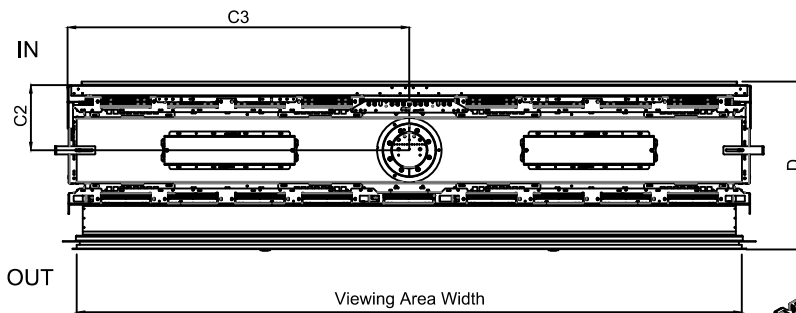
## Fireplace Dimensions



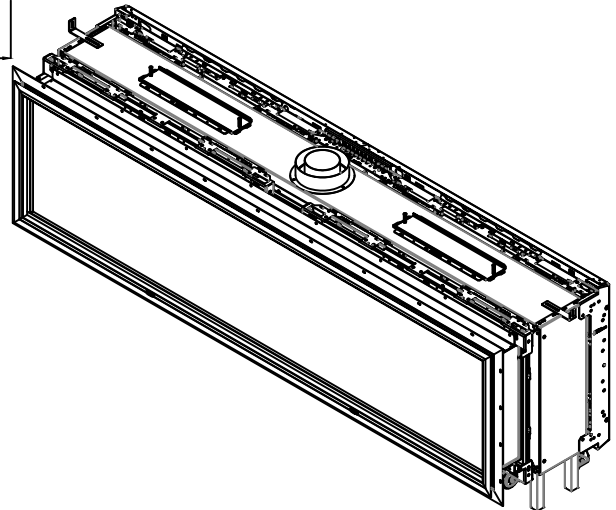
Outdoor Front View



Side View



Top View



Model	(H) Height	(W) Width	(D) fixed Depth	C1	C2	C3	Viewing Area	
							IN	OUT
250H	35 1/8"	101 1/16"	24 3/4"	7 7/8"	9 5/8"	50 1/8"	96 1/4" W X 21 5/8" H	97 5/8" W X 24 1/16" H

Note : 1. Drawings are not to Scale  
2. All dimensions in inches

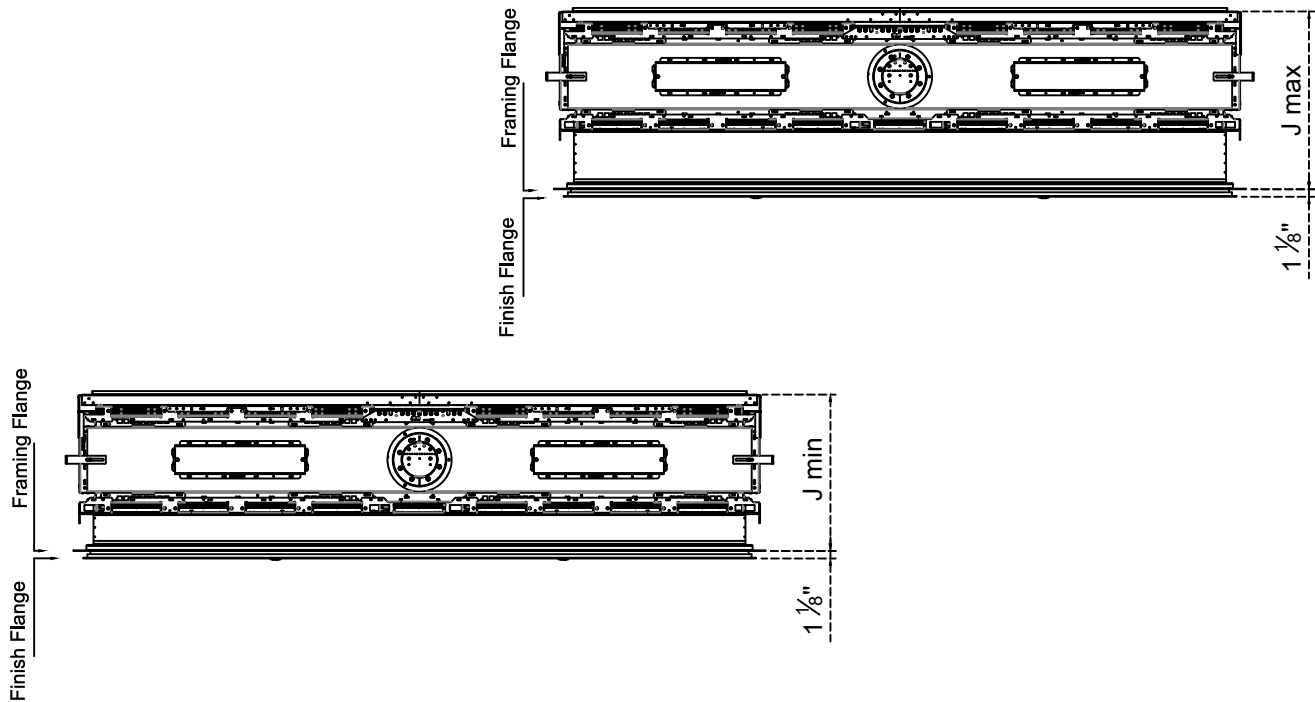
# Framing Information: 250H Indoor-Outdoor Tunnel



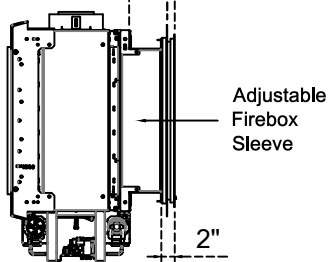
## Fireplace Dimensions

Minimum depth

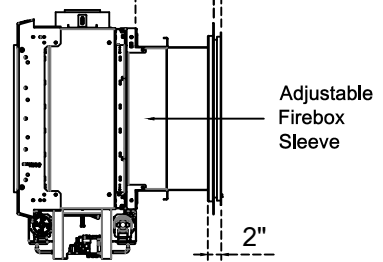
Maximum depth



K min 1 1/8"



K max 1 1/8"



Model	J min	J max	K min	K max
250H	23"	25 1/16"	5 3/8"	8 1/16"

Note : 1. Drawings are not to Scale  
2. All dimensions in inches