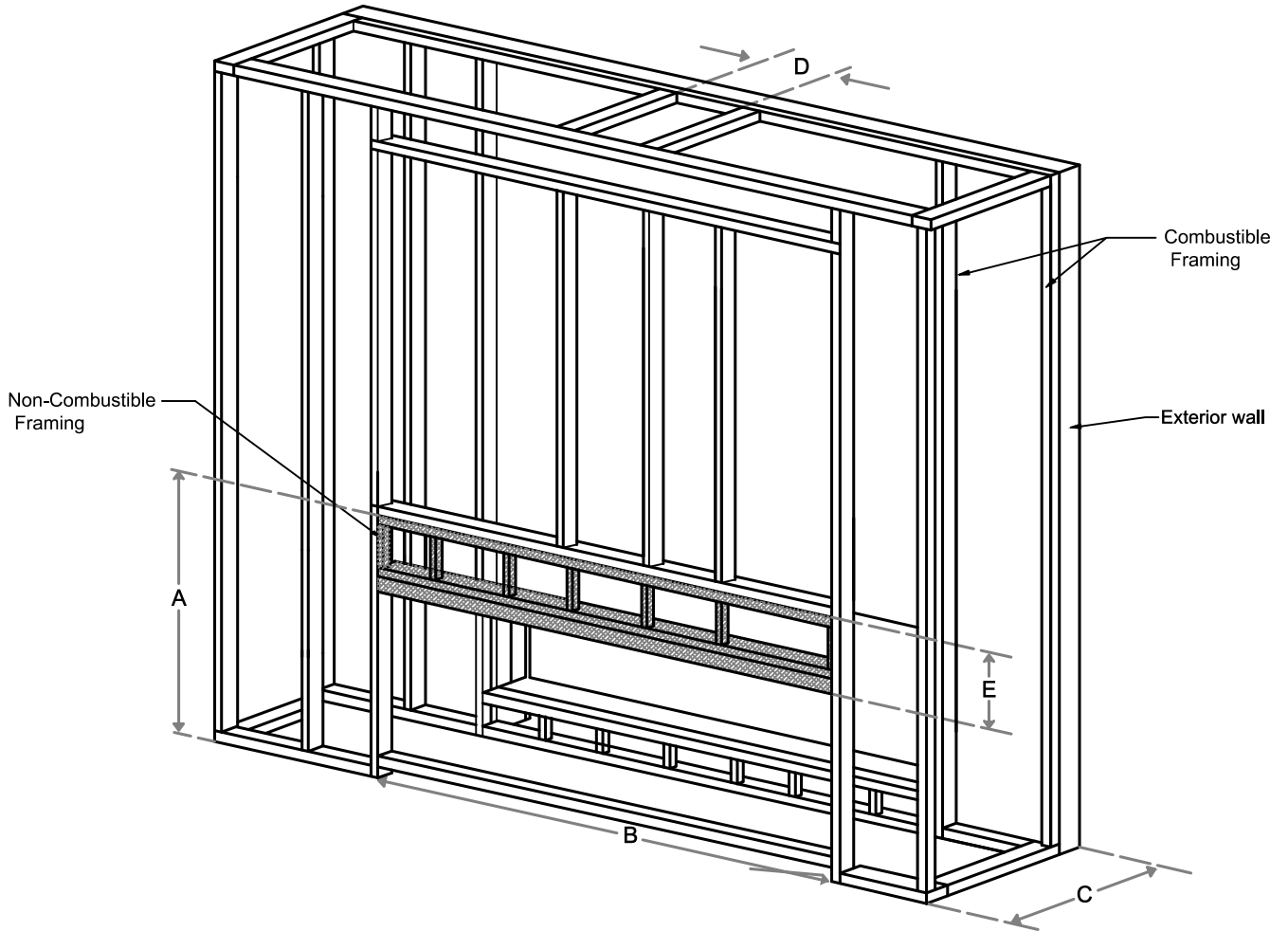


# Framing Information: 200H Indoor-Outdoor Tunnel



## Framing Dimensions



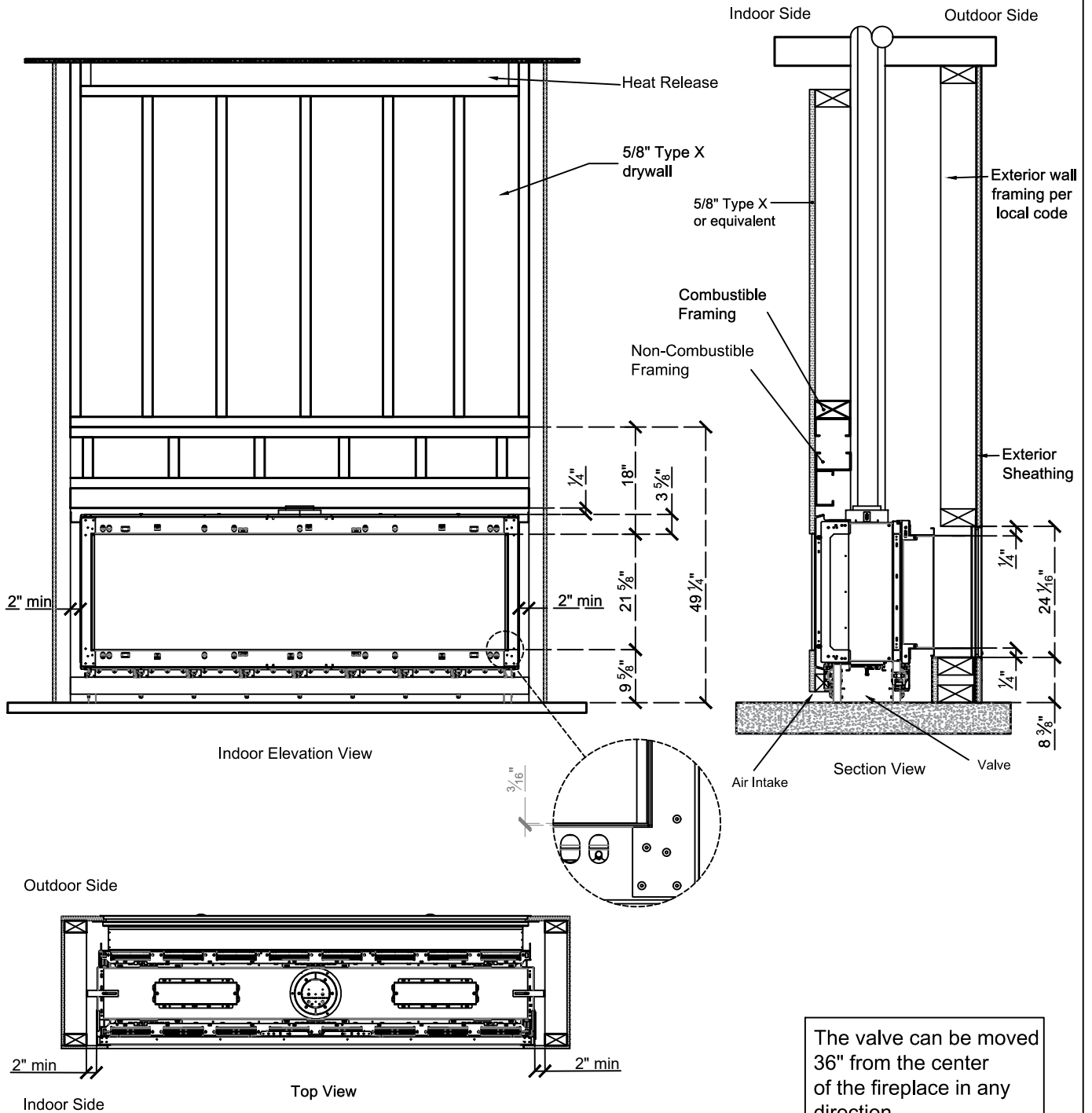
Model	A	B	C		D	E
			MIN	MAX		
200H	49 1/4"	86 15/16"	24 1/8"	26 13/16"	Refer to Vent Manufacturer's Firestop Dimensions	14 1/8"

Note : 1. Drawings are not to Scale  
 2. All dimensions in inches  
 3. No weight can be transferred to the fireplace. ALL FRAMING MUST BE SELF-SUPPORTED.

# Framing Information: 200H Indoor-Outdoor Tunnel



## Framing Details

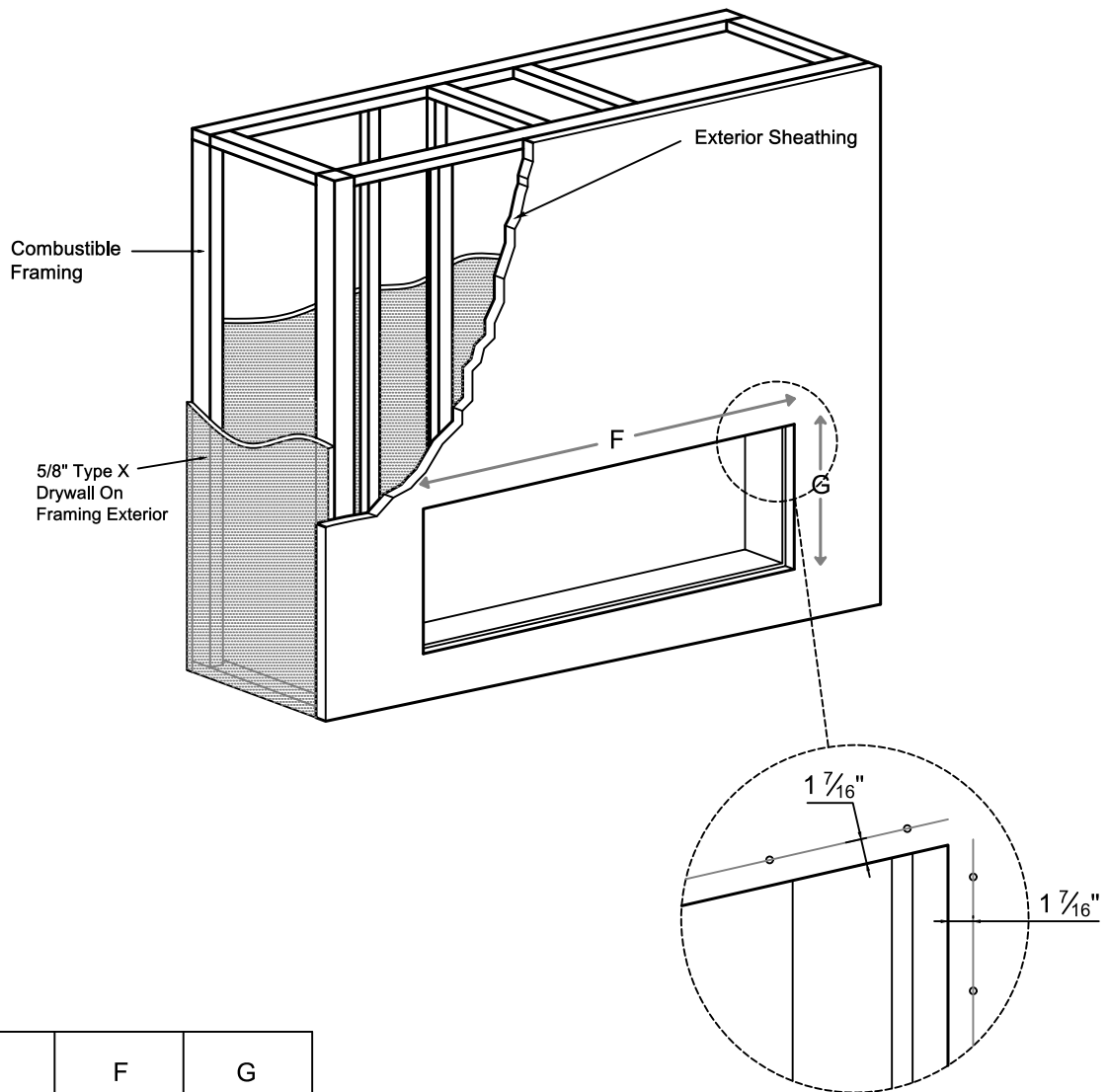


- Note :
1. Drawings are not to Scale
  2. All dimensions in inches
  3. No weight can be transferred to the fireplace. ALL FRAMING MUST BE SELF-SUPPORTED.

# Framing Information: 200H Indoor-Outdoor Tunnel



## Exterior Framing Details



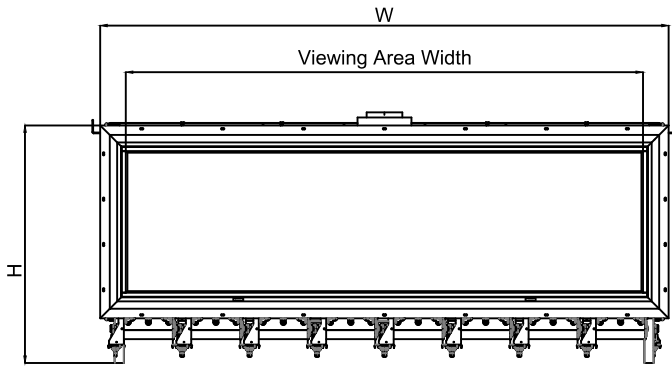
Model	F	G
200H	$79 \frac{1}{8}"$	$24 \frac{5}{16}"$

Note : 1. Drawings are not to Scale  
2. All dimensions in inches

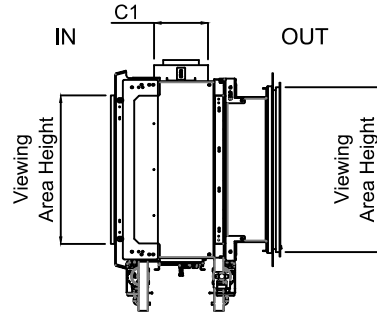
## Framing Information: 200H Indoor-Outdoor Tunnel



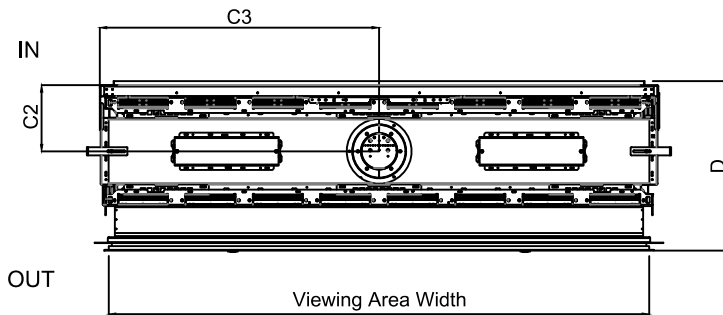
### Fireplace Dimensions



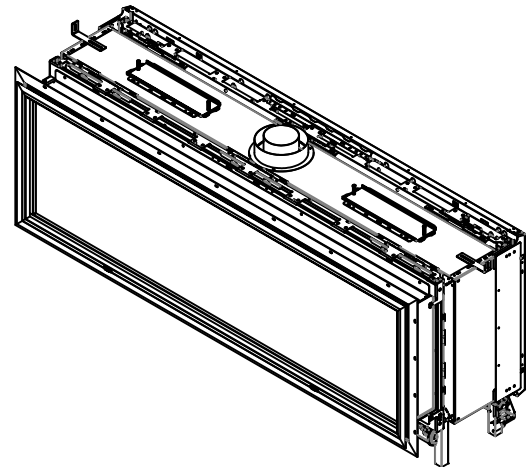
Outdoor Front View



Side View



Top View



Model	(H) Height	(W) Width	(D) fixed Depth	C1	C2	C3	Viewing Area	
							IN	OUT
200H	35 <sup>1</sup> / <sub>16</sub> "	82 <sup>15</sup> / <sub>16</sub> "	24 <sup>3</sup> / <sub>4</sub> "	7 <sup>7</sup> / <sub>8</sub> "	9 <sup>5</sup> / <sub>8</sub> "	40 <sup>3</sup> / <sub>4</sub> "	77 <sup>1</sup> / <sub>2</sub> " W X 21 <sup>5</sup> / <sub>8</sub> " H	78 <sup>7</sup> / <sub>8</sub> " W X 24 <sup>1</sup> / <sub>16</sub> " H

Note : 1. Drawings are not to Scale  
2. All dimensions in inches

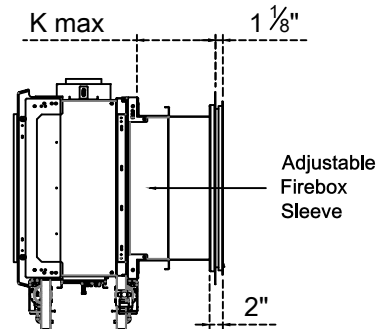
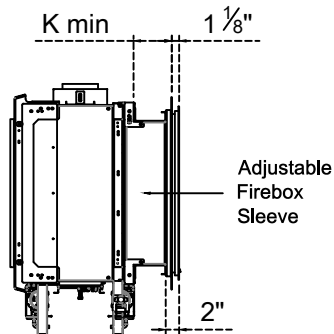
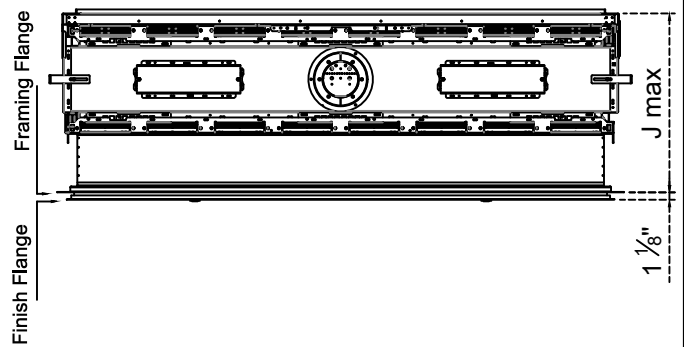
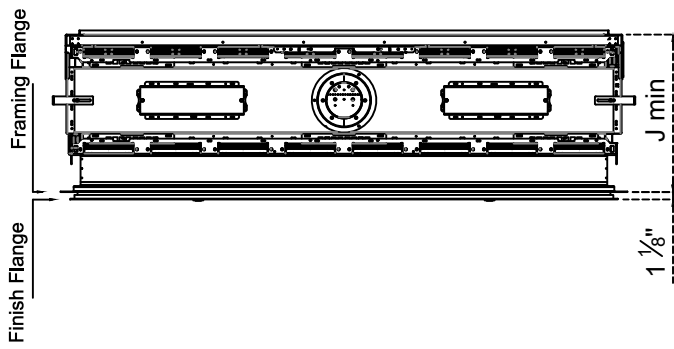
# Framing Information: 200H Indoor-Outdoor Tunnel



## Fireplace Dimensions

Minimum depth

Maximum depth



Model	J min	J max	K min	K max
200H	23"	25 1/16"	5 3/8"	8 1/16"

Note : 1. Drawings are not to Scale  
2. All dimensions in inches