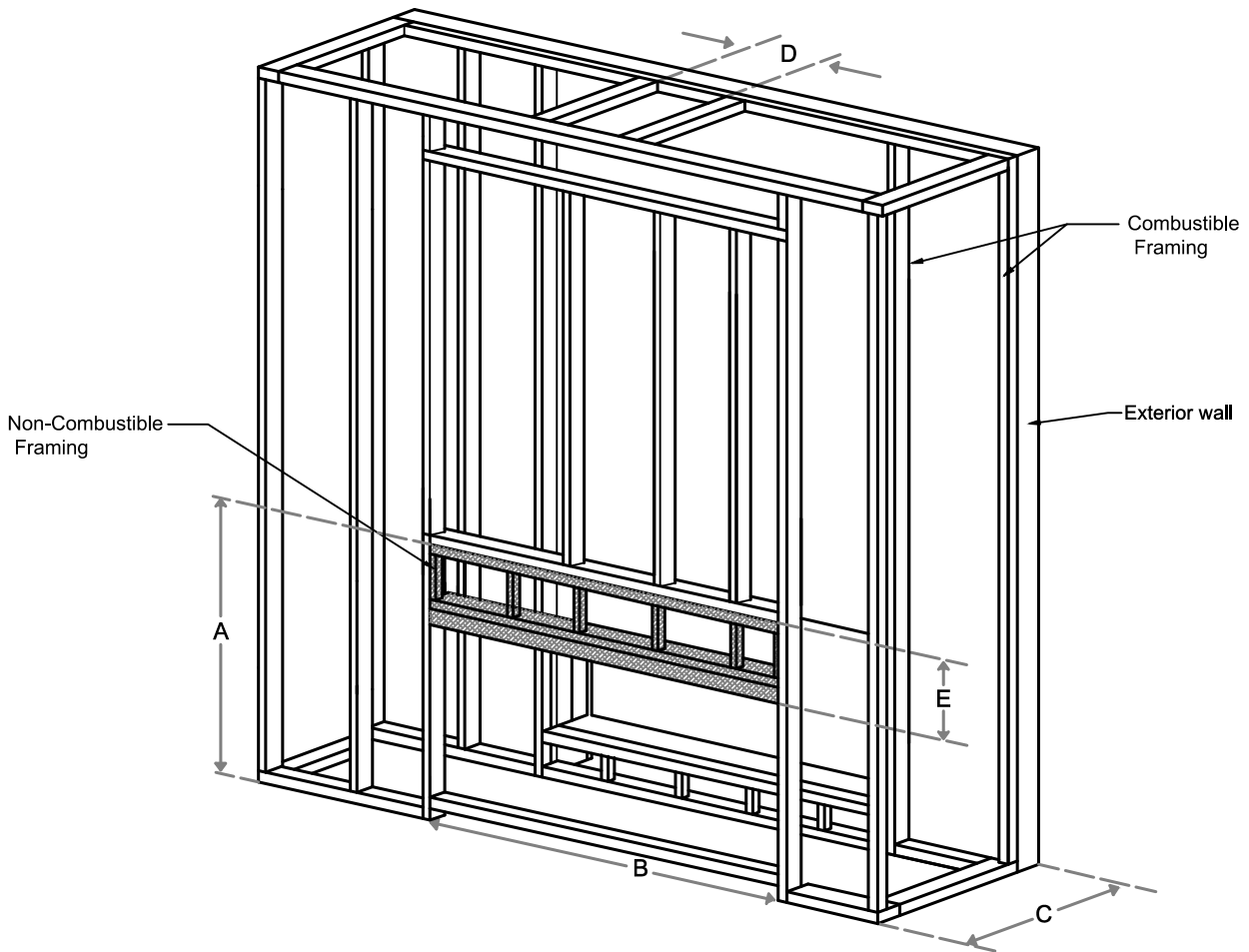


Framing Information: 150H Indoor-Outdoor Tunnel



Framing Dimensions



Model	A	B	C		D	E
			MIN	MAX		
150H	49 1/4"	69 5/8"	24 1/8"	26 13/16"	Refer to Vent Manufacturer's Firestop Dimensions	14 1/8"

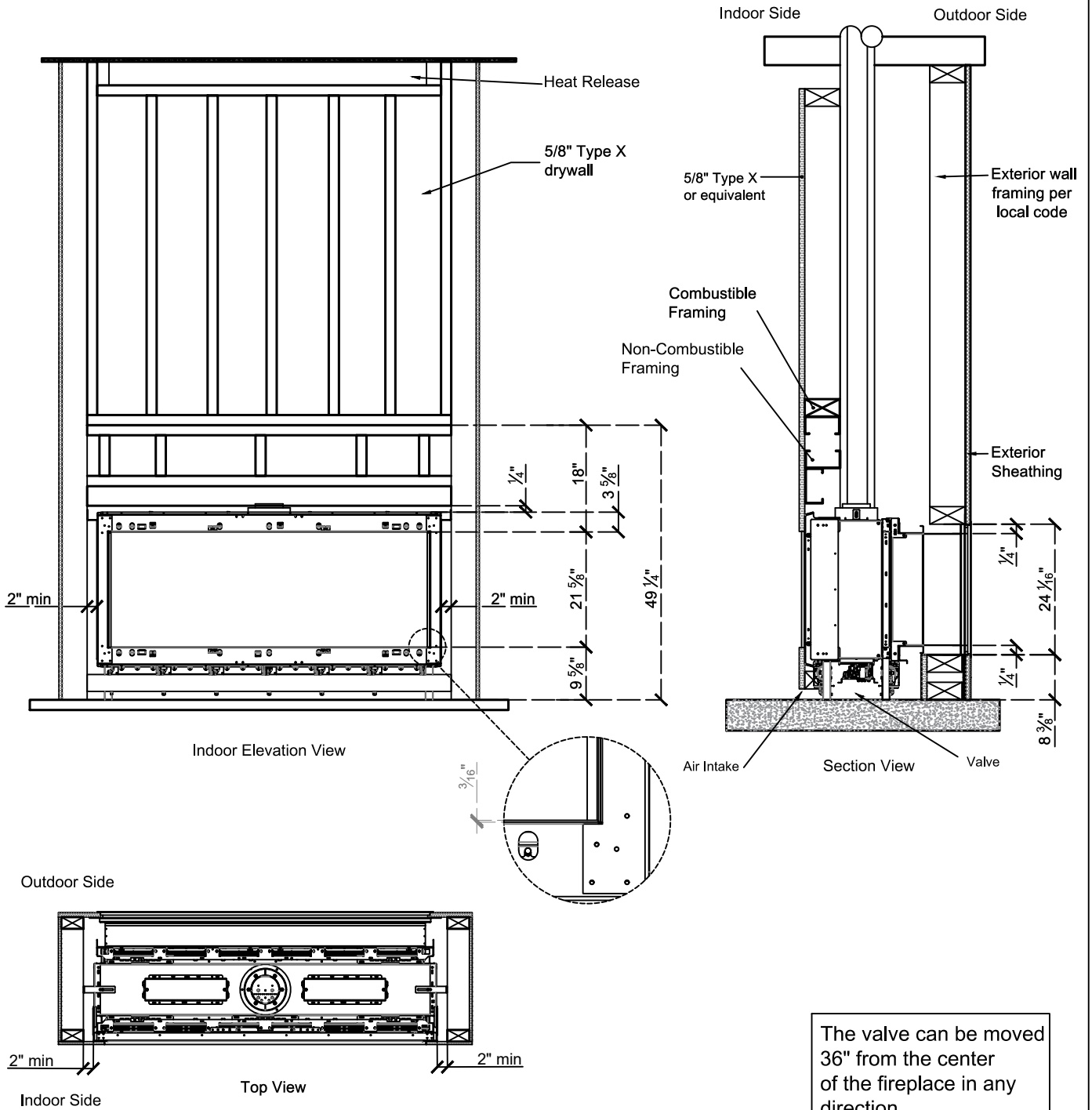
Note :

1. Drawings are not to Scale
2. All dimensions in inches
3. No weight can be transferred to the fireplace. ALL FRAMING MUST BE SELF-SUPPORTED.

Framing Information: 150H Indoor-Outdoor Tunnel



Framing Details



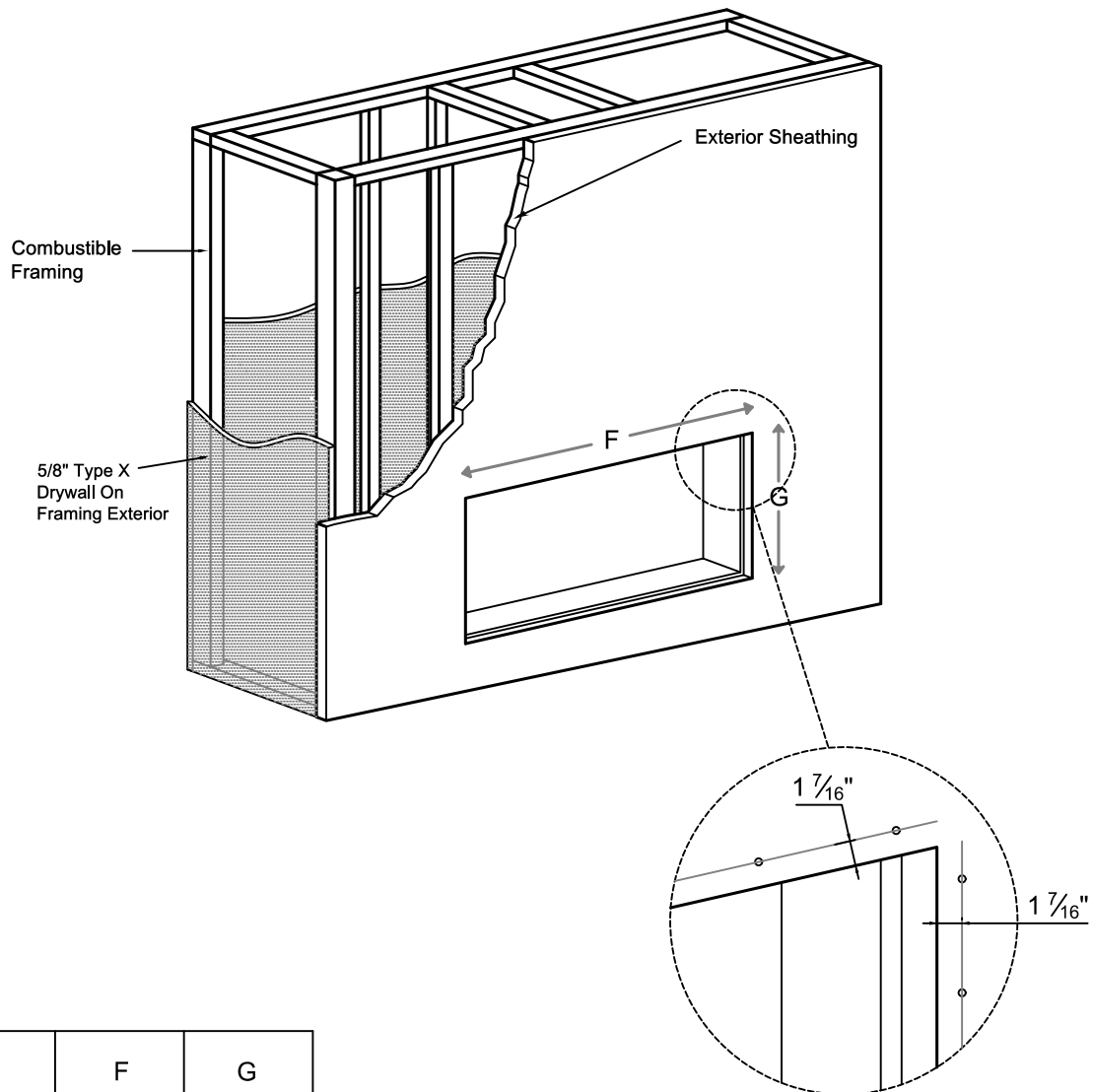
The valve can be moved 36" from the center of the fireplace in any direction

- Note :**
1. Drawings are not to Scale
 2. All dimensions in inches
 3. No weight can be transferred to the fireplace. ALL FRAMING MUST BE SELF-SUPPORTED.

Framing Information: 150H Indoor-Outdoor Tunnel



Exterior Framing Details



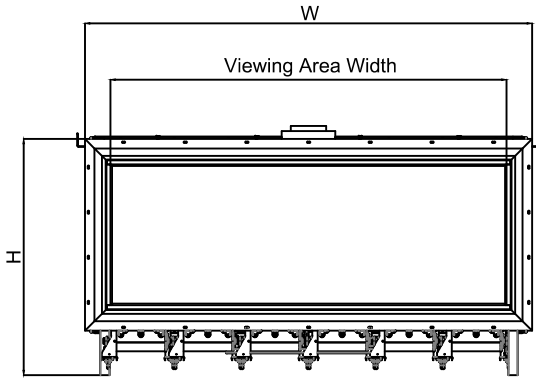
Model	F	G
150H	61 $\frac{13}{16}$ "	24 $\frac{5}{16}$ "

Note : 1. Drawings are not to Scale
 2. All dimensions in inches

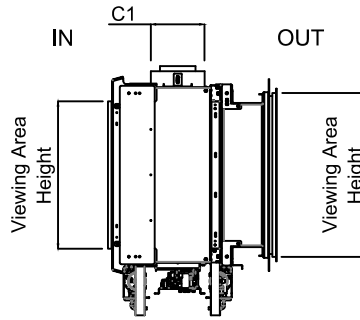
Framing Information: 150H Indoor-Outdoor Tunnel



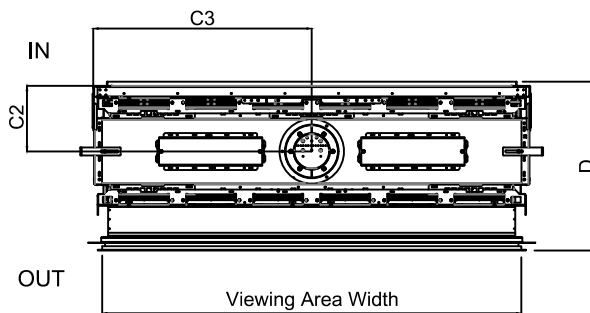
Fireplace Dimensions



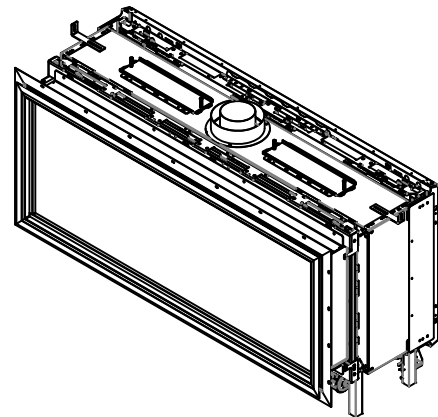
Outdoor Front View



Side View



Top View



Model	(H) Height	(W) Width	(D) fixed Depth	C1	C2	C3	Viewing Area	
							IN	OUT
150H	35 ¹ / ₁₆ "	65 ⁵ / ₈ "	24 ³ / ₄ "	7 ⁷ / ₈ "	9 ⁵ / ₈ "	32 ³ / ₁₆ "	60 ³ / ₁₆ " W X 21 ⁵ / ₈ " H	61 ⁹ / ₁₆ " W X 24 ¹ / ₁₆ " H

Note : 1. Drawings are not to Scale
 2. All dimensions in inches

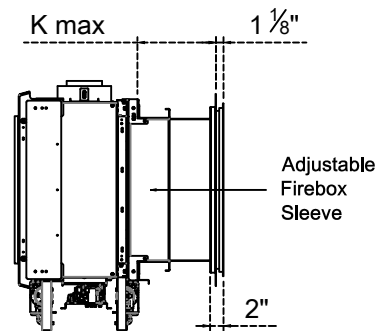
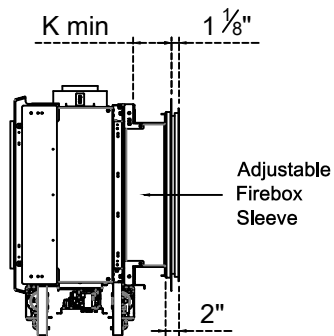
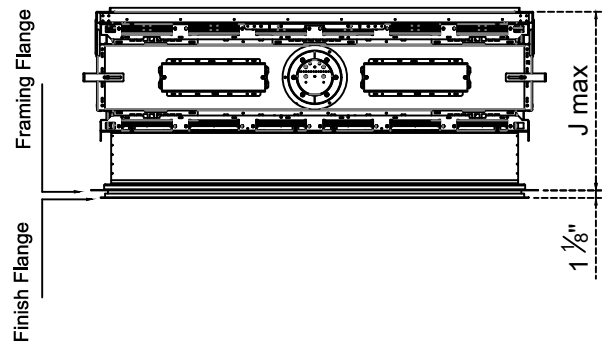
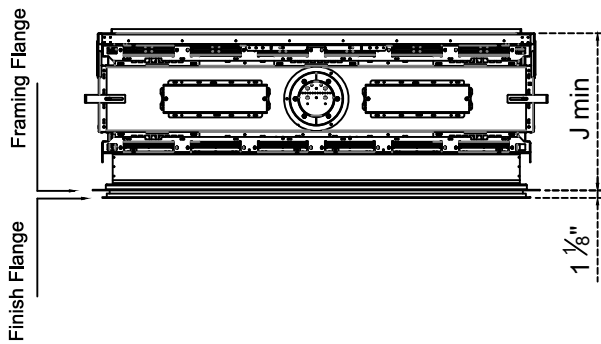
Framing Information: 150H Indoor-Outdoor Tunnel



Fireplace Dimensions

Minimum depth

Maximum depth



Model	J min	J max	K min	K max
150H	23"	25 1/16"	5 3/8"	8 1/16"

Note : 1. Drawings are not to Scale
2. All dimensions in inches