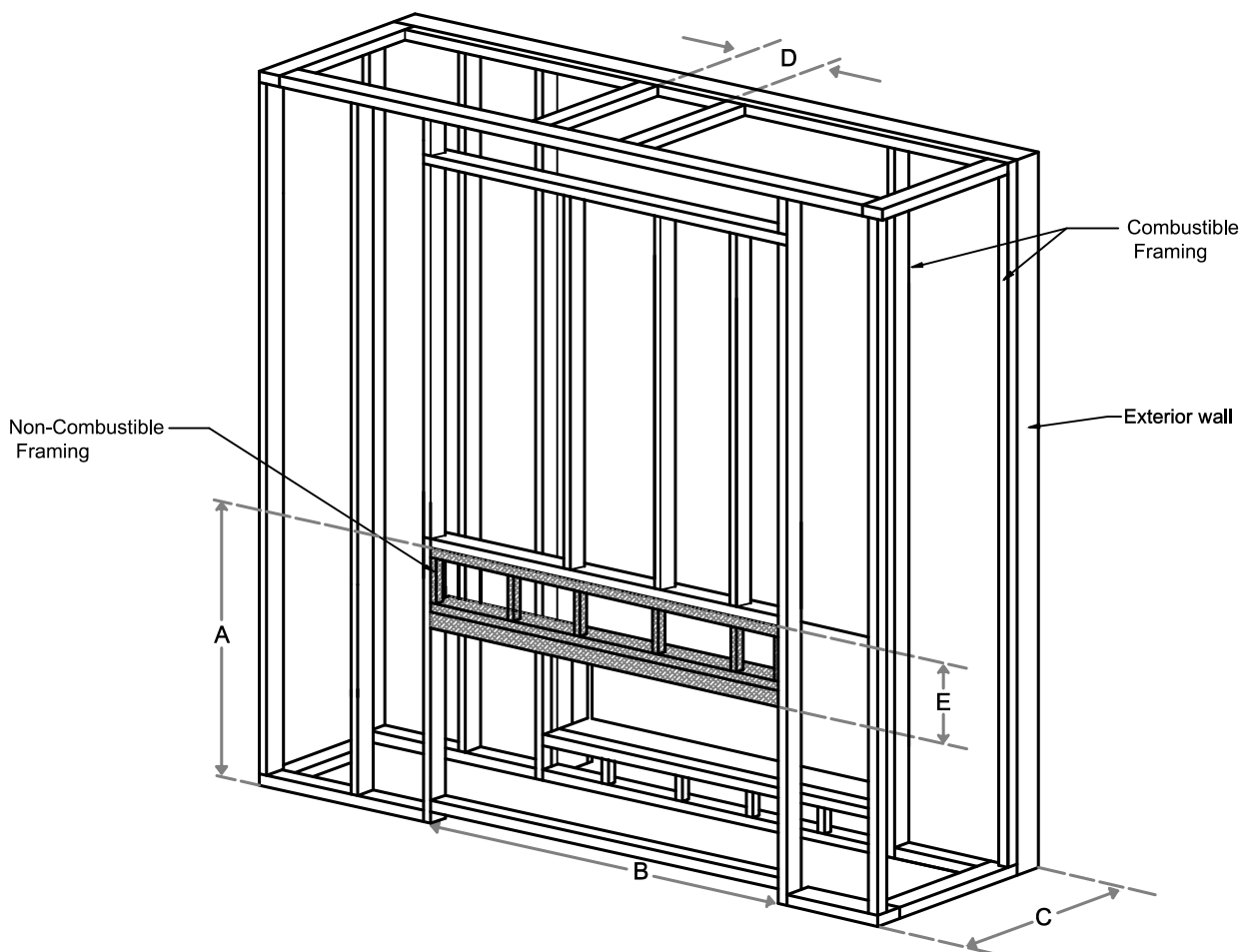


## Framing Information: 130 Indoor-Outdoor Tunnel



### Framing Dimensions



Model	A	B	C		D	E
			MIN	MAX		
130	41 <sup>3</sup> / <sub>8</sub> "	59 <sup>13</sup> / <sub>16</sub> "	24 <sup>1</sup> / <sub>8</sub> "	26 <sup>13</sup> / <sub>16</sub> "	Refer to Vent Manufacturer's Firestop Dimensions	14 <sup>1</sup> / <sub>8</sub> "

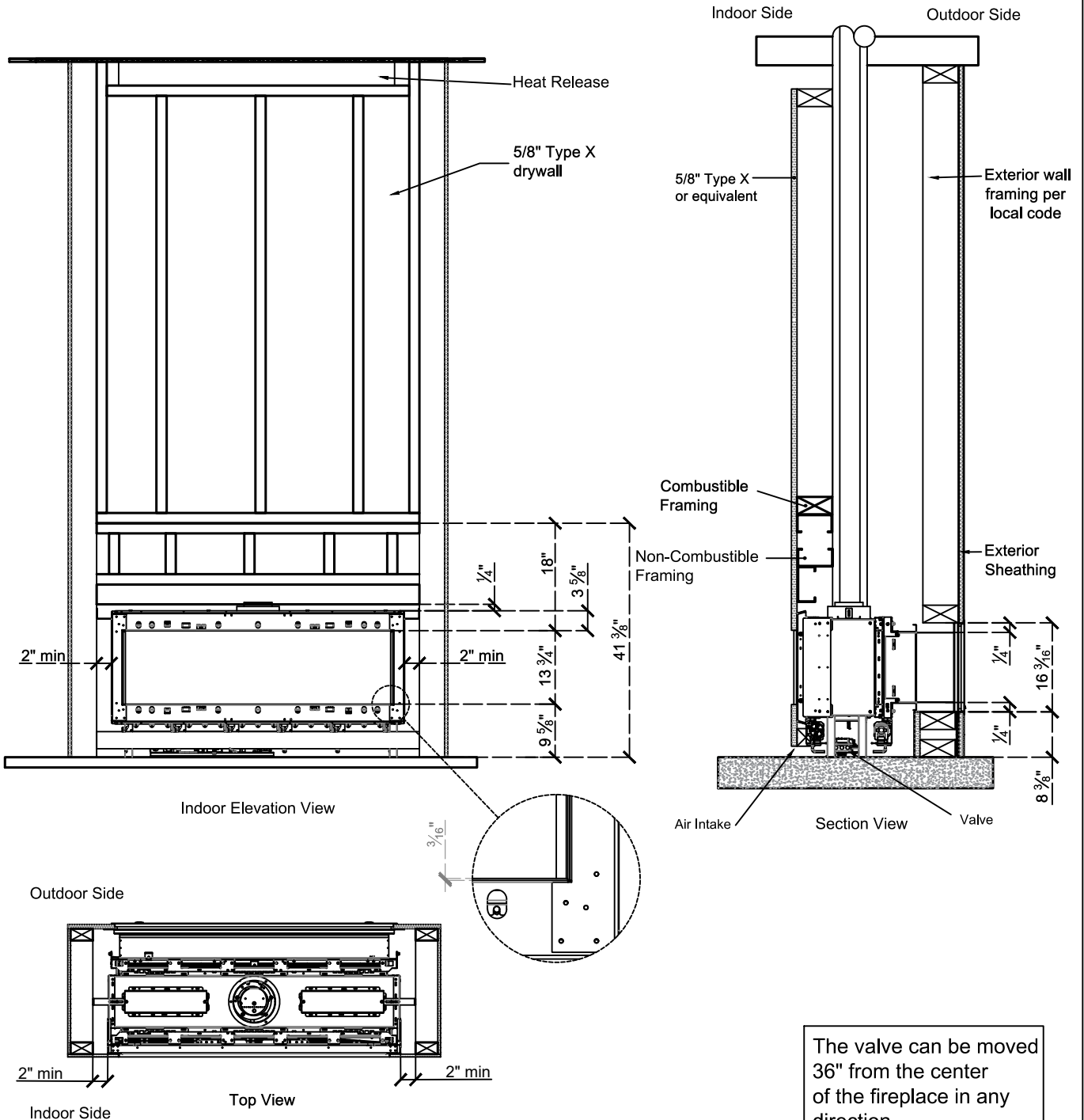
**Note :**

1. Drawings are not to Scale
2. All dimensions in inches
3. No weight can be transferred to the fireplace. ALL FRAMING MUST BE SELF-SUPPORTED.

# Framing Information: 130 Indoor-Outdoor Tunnel

**ORTAL**  
YOUR LIFE. YOUR FIRE

## Framing Details

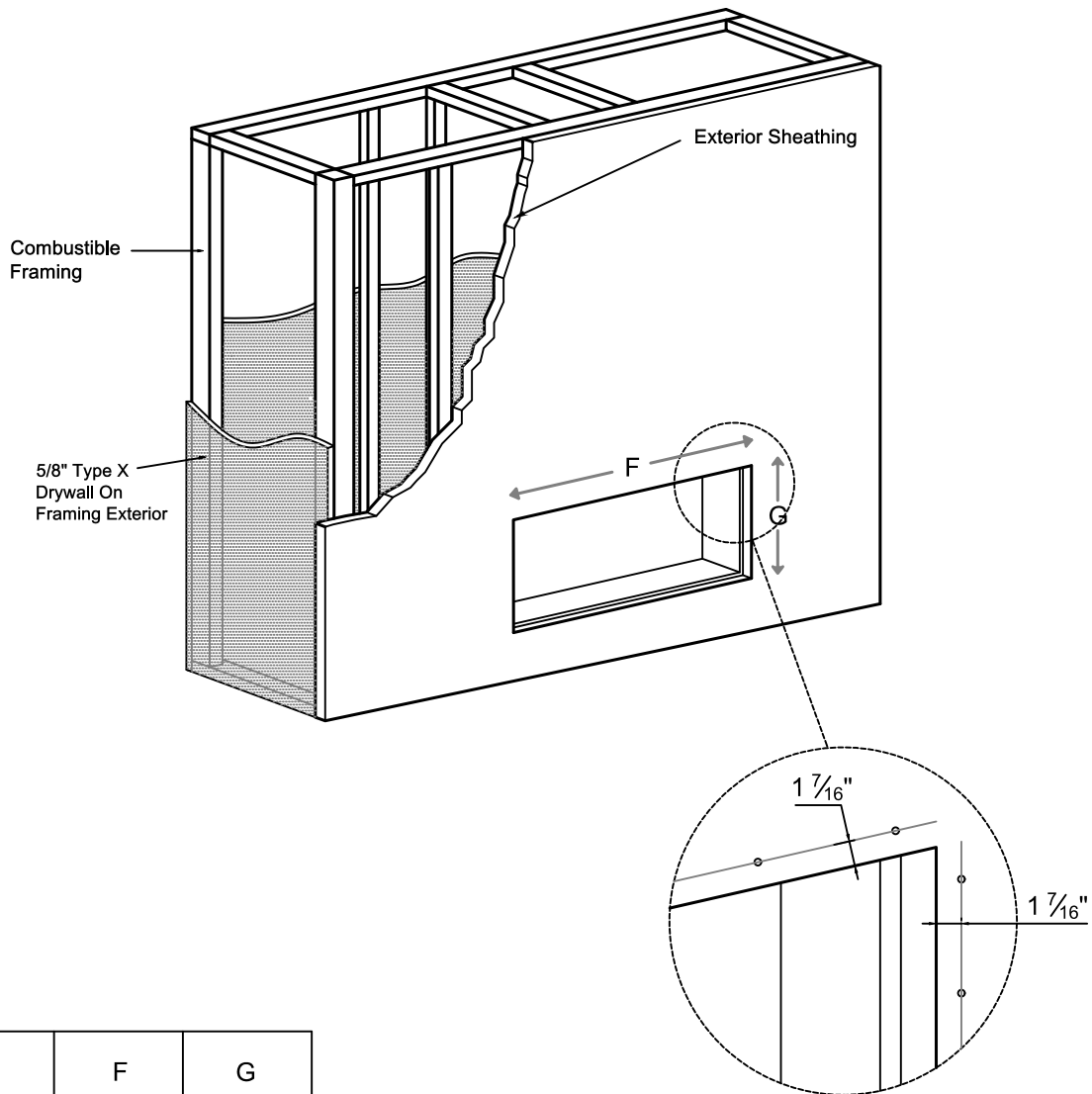


- Note :
1. Drawings are not to Scale
  2. All dimensions in inches
  3. No weight can be transferred to the fireplace. ALL FRAMING MUST BE SELF-SUPPORTED.

# Framing Information: 130 Indoor-Outdoor Tunnel



## Exterior Framing Details



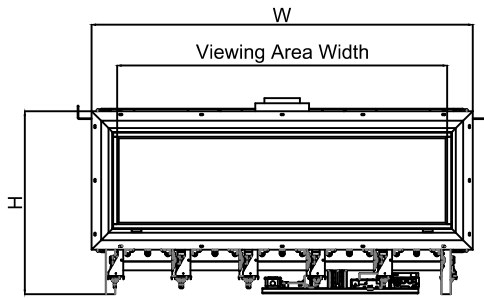
Model	F	G
130	51 <sup>15</sup> / <sub>16</sub> "	16 <sup>7</sup> / <sub>16</sub> "

Note : 1. Drawings are not to Scale  
 2. All dimensions in inches

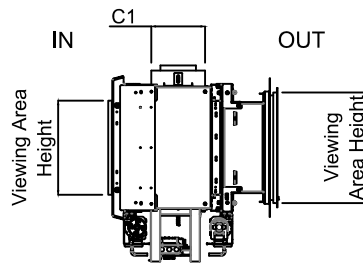
# Framing Information: 130 Indoor-Outdoor Tunnel



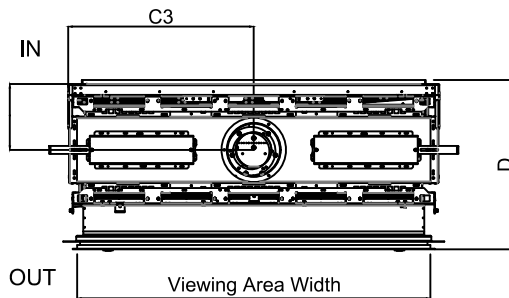
## Fireplace Dimensions



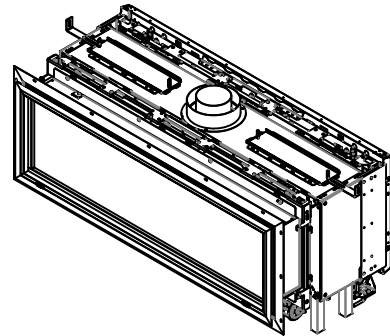
Outdoor Front View



Side View



Top View



Model	(H) Height	(W) Width	(D) fixed Depth	C1	C2	C3	Viewing Area	
							IN	OUT
130	27 <sup>3</sup> / <sub>16</sub> "	55 <sup>13</sup> / <sub>16</sub> "	24 <sup>3</sup> / <sub>4</sub> "	7 <sup>7</sup> / <sub>8</sub> "	9 <sup>5</sup> / <sub>8</sub> "	27 <sup>3</sup> / <sub>16</sub> "	50 <sup>5</sup> / <sub>16</sub> " W X 13 <sup>3</sup> / <sub>4</sub> " H	51 <sup>1</sup> / <sub>16</sub> " W X 16 <sup>3</sup> / <sub>16</sub> " H

Note : 1. Drawings are not to Scale  
2. All dimensions in inches

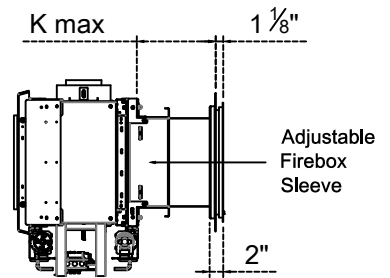
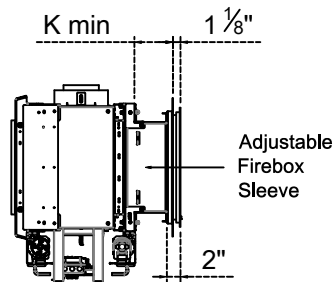
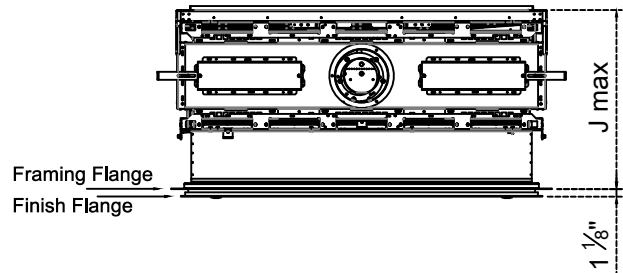
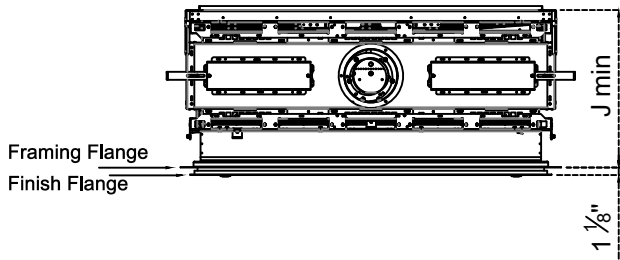
# Framing Information: 130 Indoor-Outdoor Tunnel



## Fireplace Dimensions

Minimum depth

Maximum depth



Model	J min	J max	K min	K max
130	23"	25 1/16"	5 3/8"	8 1/16"

Note : 1. Drawings are not to Scale  
2. All dimensions in inches