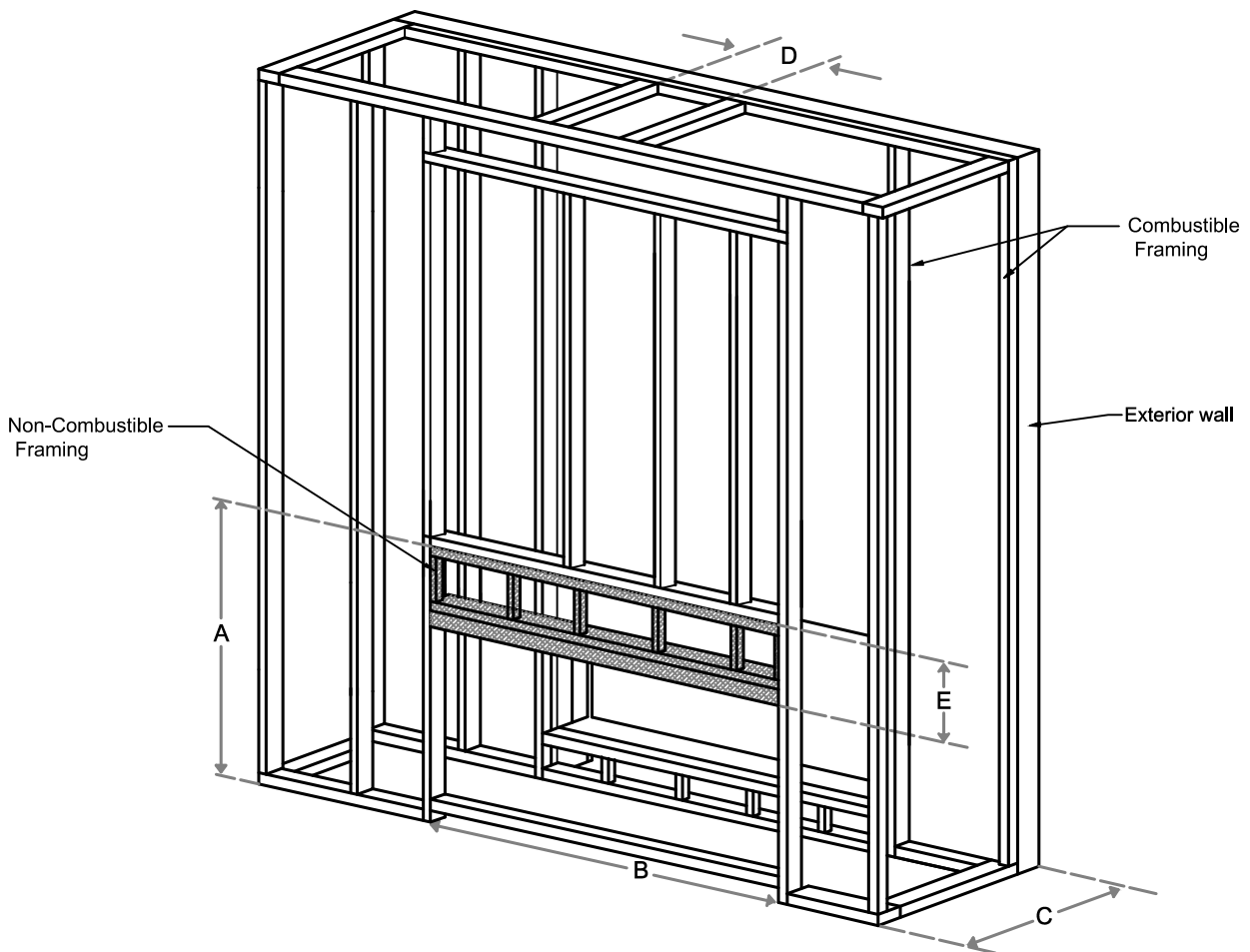


Framing Information: 110 Indoor-Outdoor Tunnel



Framing Dimensions



Model	A	B	C		D	E
			MIN	MAX		
110	41 $\frac{3}{8}$ "	53 $\frac{1}{8}$ "	24 $\frac{1}{8}$ "	26 $\frac{13}{16}$ "	Refer to Vent Manufacturer's Firestop Dimensions	14 $\frac{1}{8}$ "

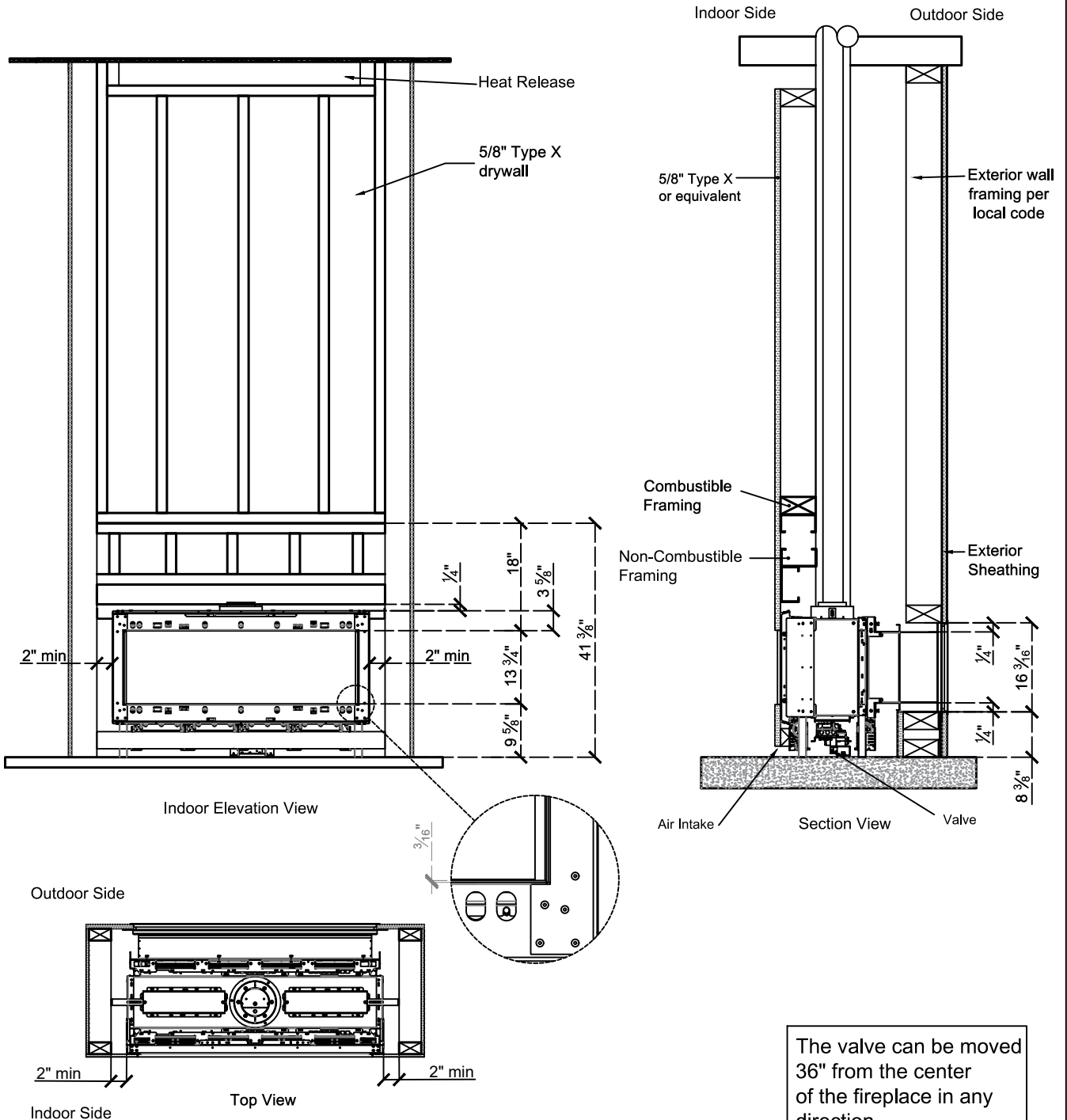
Note :

1. Drawings are not to Scale
2. All dimensions in inches
3. No weight can be transferred to the fireplace. ALL FRAMING MUST BE SELF-SUPPORTED.

Framing Information: 110 Indoor-Outdoor Tunnel



Framing Details



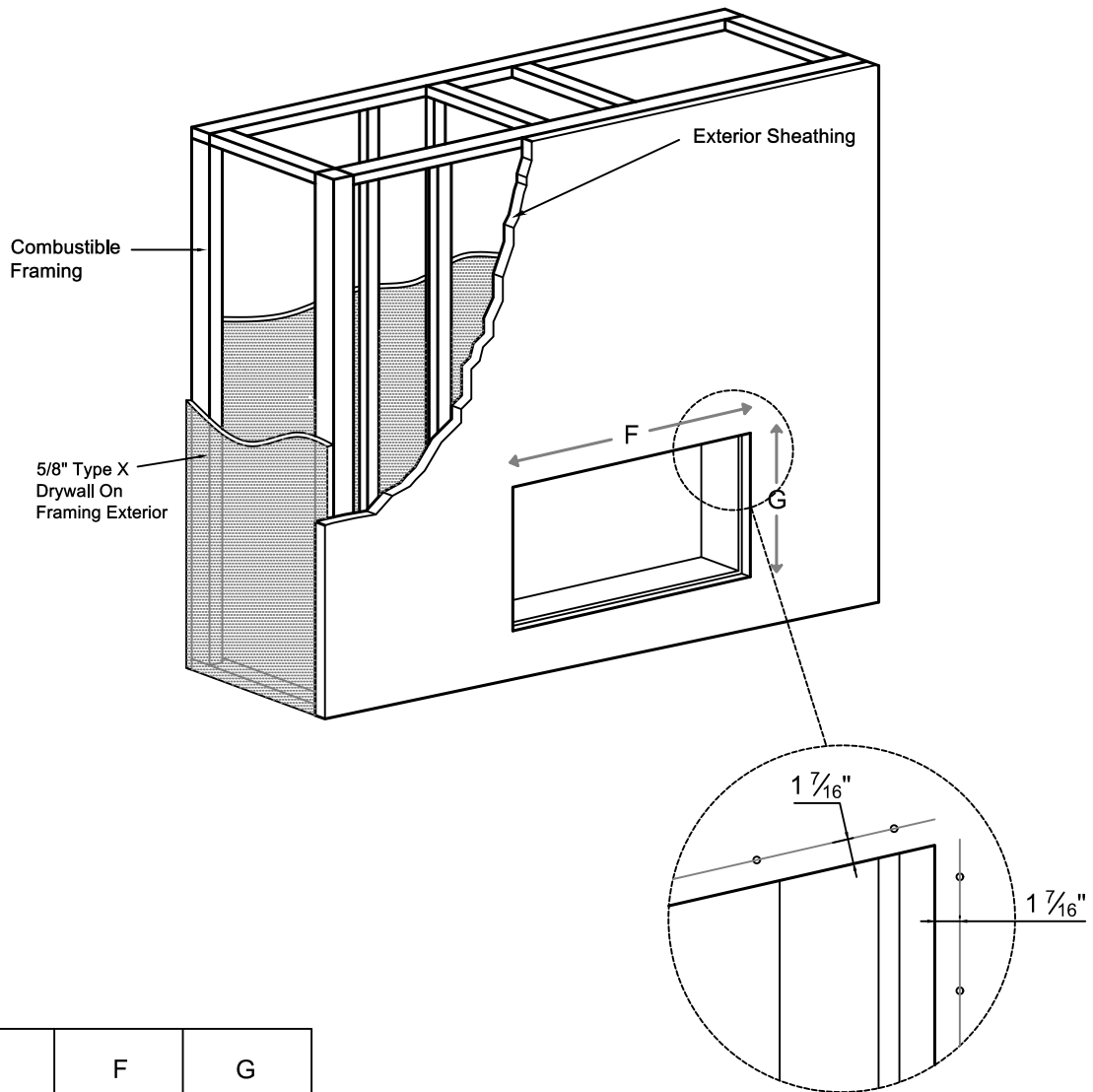
The valve can be moved 36" from the center of the fireplace in any direction

- Note :
1. Drawings are not to Scale
 2. All dimensions in inches
 3. No weight can be transferred to the fireplace. ALL FRAMING MUST BE SELF-SUPPORTED.

Framing Information: 110 Indoor-Outdoor Tunnel



Exterior Framing Details



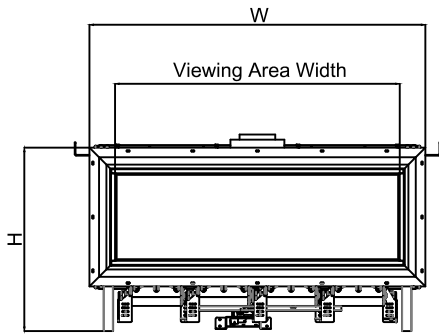
Model	F	G
110	45 1/4"	16 7/16"

Note : 1. Drawings are not to Scale
 2. All dimensions in inches

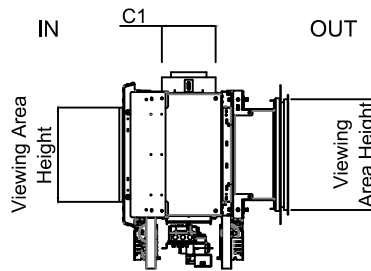
Framing Information: 110 Indoor-Outdoor Tunnel



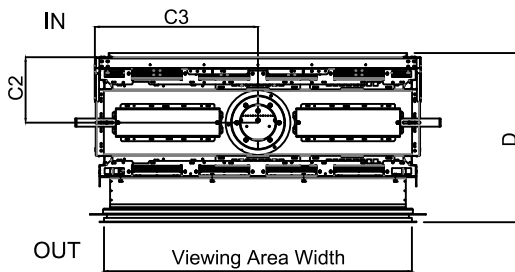
Fireplace Dimensions



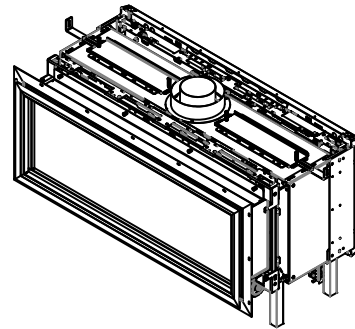
Outdoor Front View



Side View



Top View



Model	(H) Height	(W) Width	(D) fixed Depth	C1	C2	C3	Viewing Area	
							IN	OUT
110	27 ³ / ₁₆ "	49 ¹ / ₈ "	24 ³ / ₄ "	7 ⁷ / ₈ "	9 ⁹ / ₁₆ "	23 ⁷ / ₈ "	43 ⁵ / ₈ " W X 13 ³ / ₄ " H	45" W X 16 ³ / ₁₆ " H

Note : 1. Drawings are not to Scale
2. All dimensions in inches

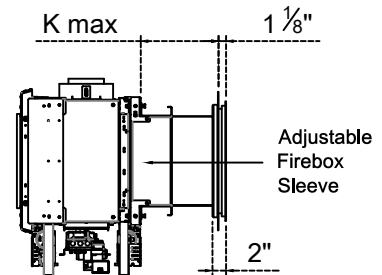
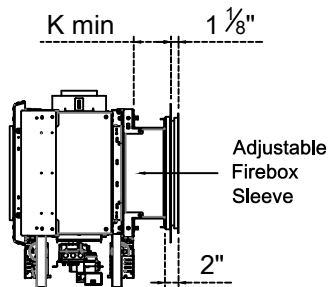
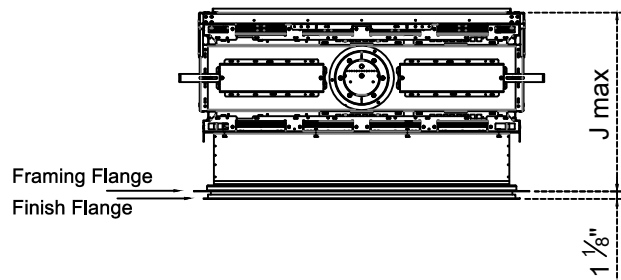
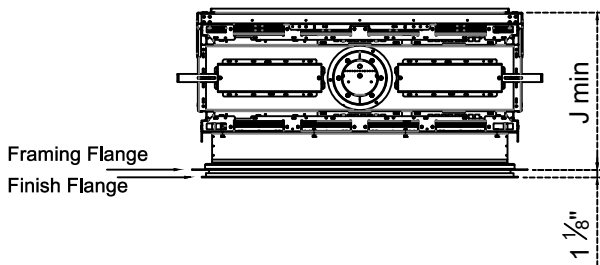
Framing Information: 110 Indoor-Outdoor Tunnel



Fireplace Dimensions

Minimum depth

Maximum depth



Model	J min	J max	K min	K max
110	23"	25 1/16"	5 3/8"	8 1/16"

Note : 1. Drawings are not to Scale
2. All dimensions in inches