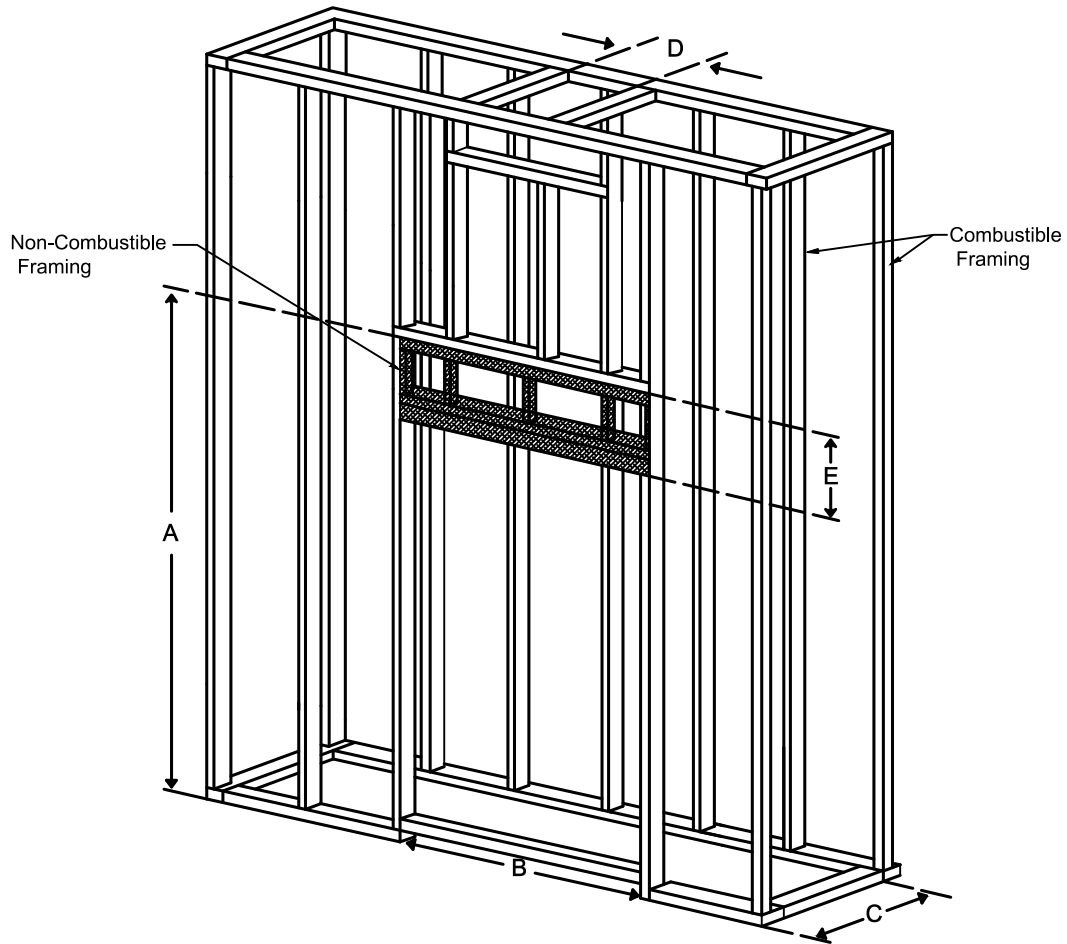


## Framing Information: 31H Front ( 75x65H)



### Framing Dimensions



Model	A	B	C	D	E
31H Front	92 <sup>9</sup> / <sub>16</sub> "	38 <sup>13</sup> / <sub>16</sub> "	19 <sup>5</sup> / <sub>8</sub> "	Refer to Vent Manufacturer's Firestop Dimensions	13 <sup>3</sup> / <sub>4</sub> "

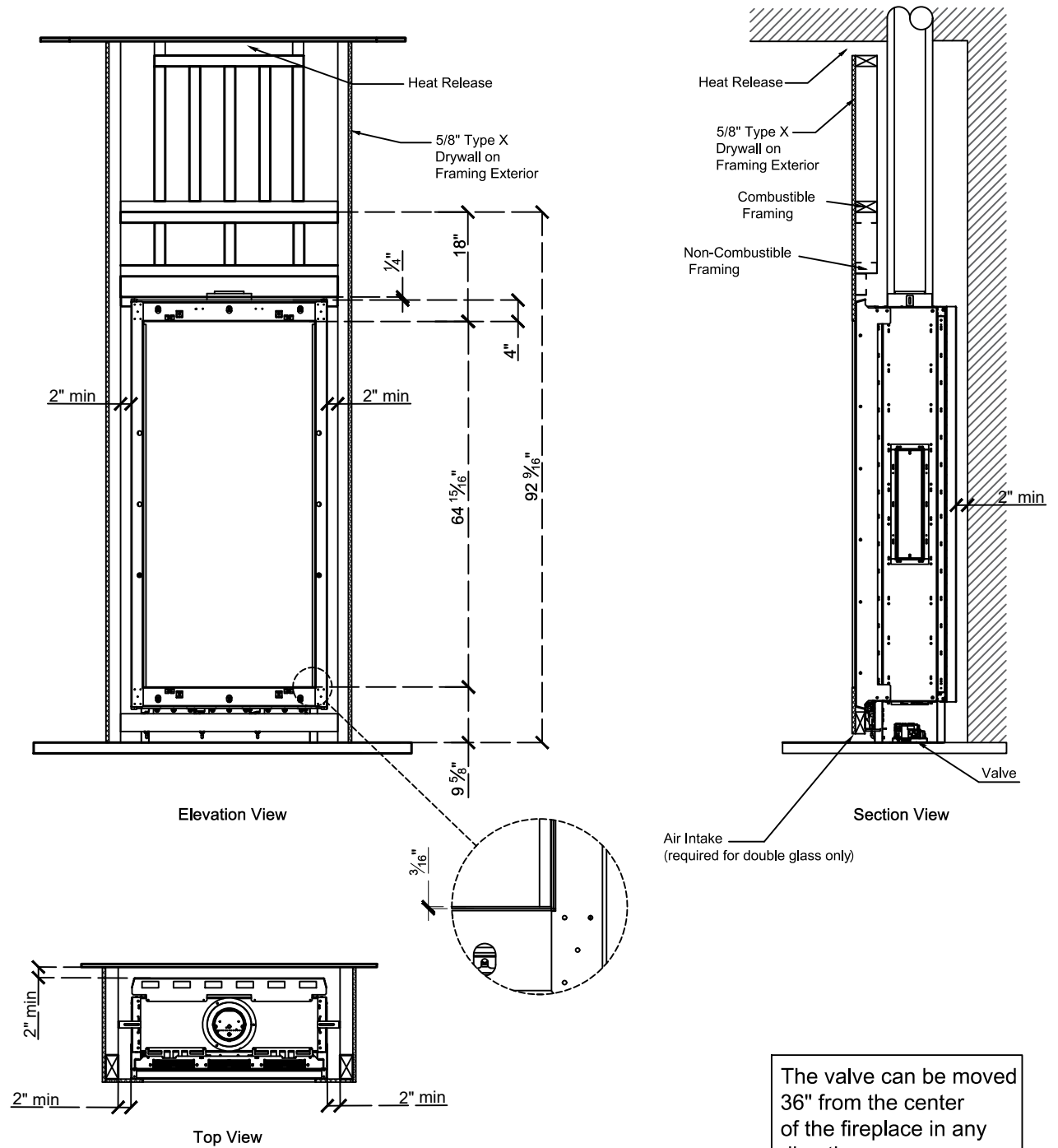
**Note :**

1. Drawings are not to Scale
2. All dimensions in inches
3. No weight can be transferred to the fireplace. **ALL FRAMING MUST BE SELF-SUPPORTED.**

# Framing Information: 31H Front (75x65H)



## Framing Details



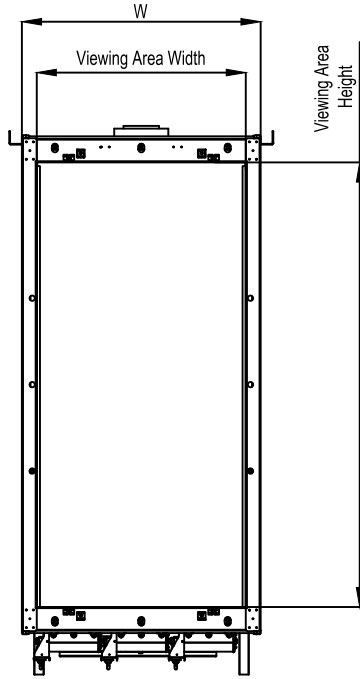
The valve can be moved 36" from the center of the fireplace in any direction

- Note :
1. Drawings are not to Scale
  2. All dimensions in inches
  3. No weight can be transferred to the fireplace. ALL FRAMING MUST BE SELF-SUPPORTED.

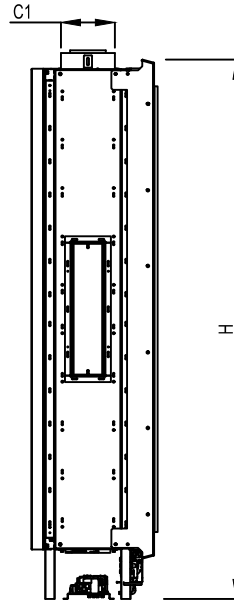
## Framing Information: 31H Front ( 75x65H)

**ORTAL**  
YOUR LIFE. YOUR FIRE

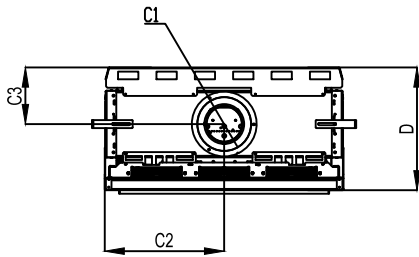
### Fireplace Dimensions



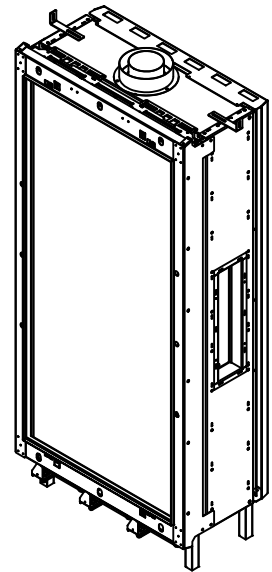
Front View



Side View



Top View



Model	(H) Height	(W) Width	(D) Depth	C1	C2	C3	Viewing Area	
							Front	Side
31H Front	78 <sup>5</sup> / <sub>8</sub> "	34 <sup>13</sup> / <sub>16</sub> "	17 <sup>5</sup> / <sub>8</sub> "	7 <sup>7</sup> / <sub>8</sub> "	17 <sup>9</sup> / <sub>16</sub> "	8 <sup>1</sup> / <sub>4</sub> "	30 <sup>5</sup> / <sub>8</sub> " W X 64 <sup>15</sup> / <sub>16</sub> " H	—

Note : 1. Drawings are not to Scale  
2. All dimensions in inches