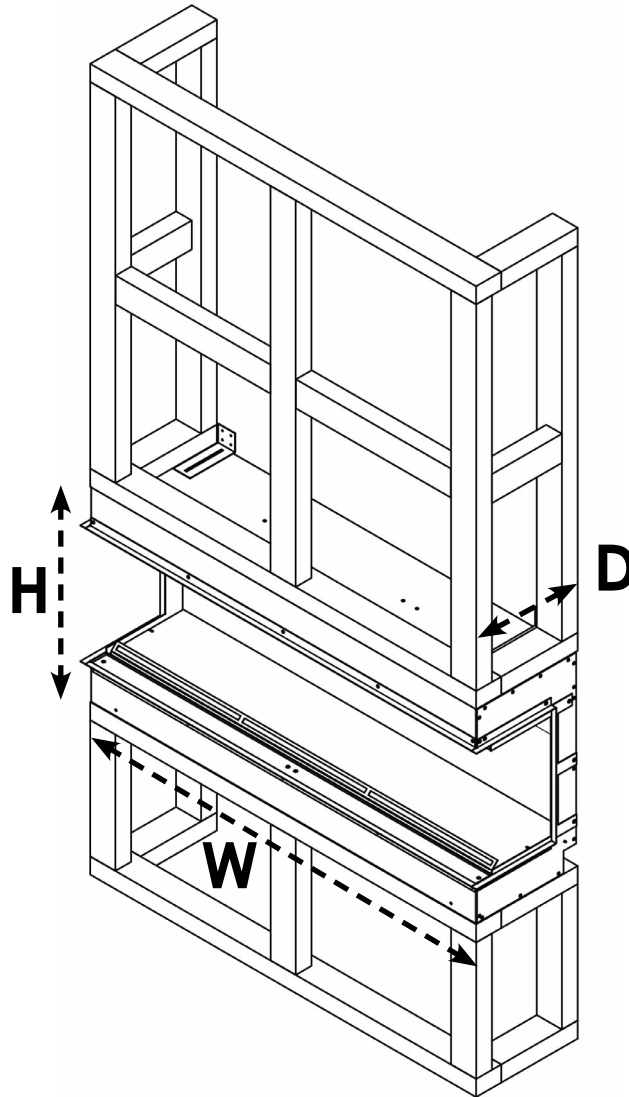


FRAMING INFORMATION: E-LECTRA 50"

ORTAL®

FRAMING DIMENSIONS



FRAMING

| Fireplace | A. Height | B. Width | C. Depth |
|-------------|-----------------------------------|------------------------------------|----------------------------------|
| E-lectra 50 | 23 ⁷ / ₆₄ " | 50 ¹⁹ / ₃₂ " | 11 ³ / ₈ " |

- Note:** 1. Drawings are not to scale
 2. All dimensions in inches
 3. No weight can be transferred to the fireplace.

ALL FRAMING MUST BE SELF-SUPPORTED