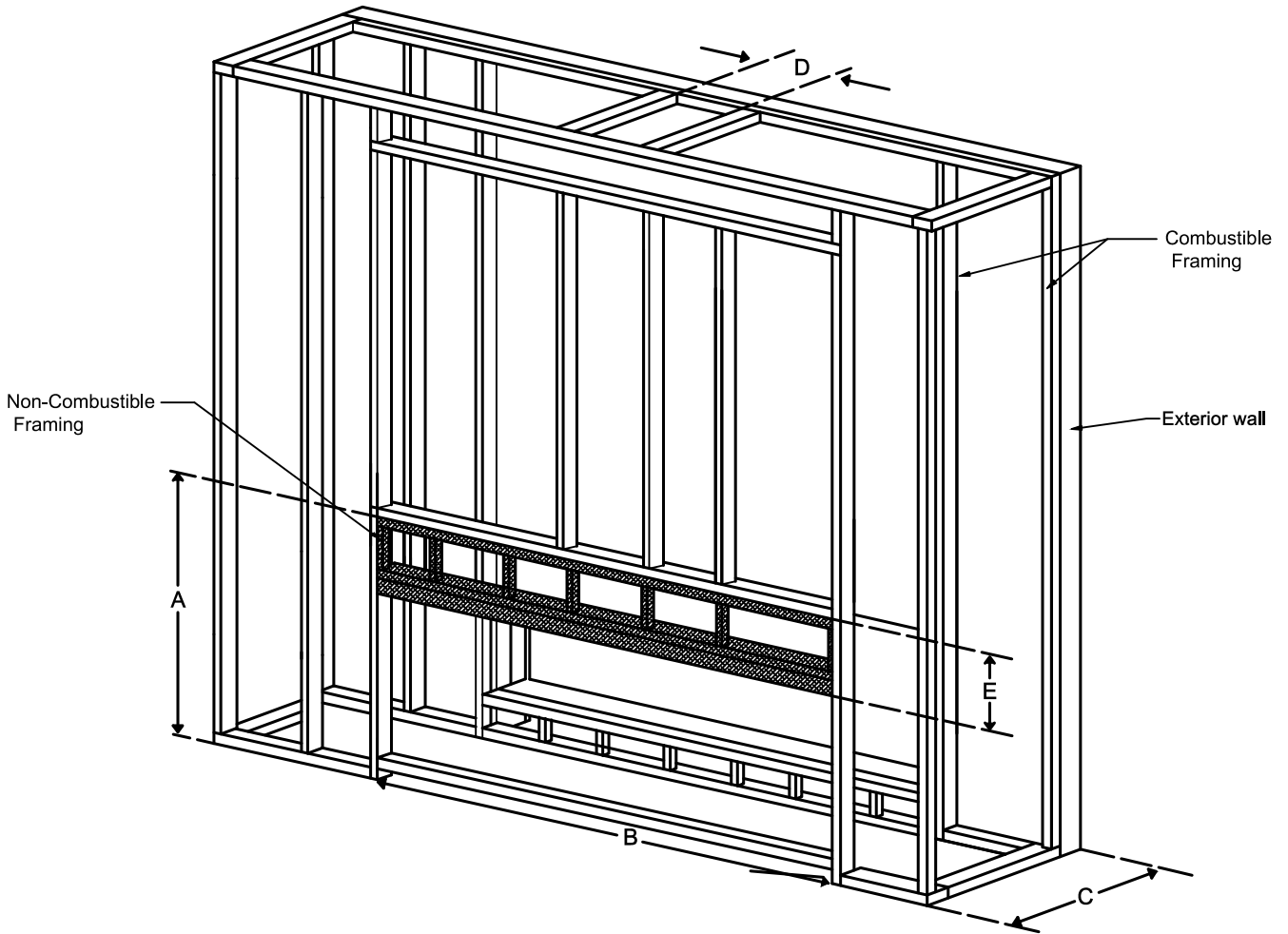


Framing Information: 200HH Indoor-Outdoor Tunnel



Framing Dimensions



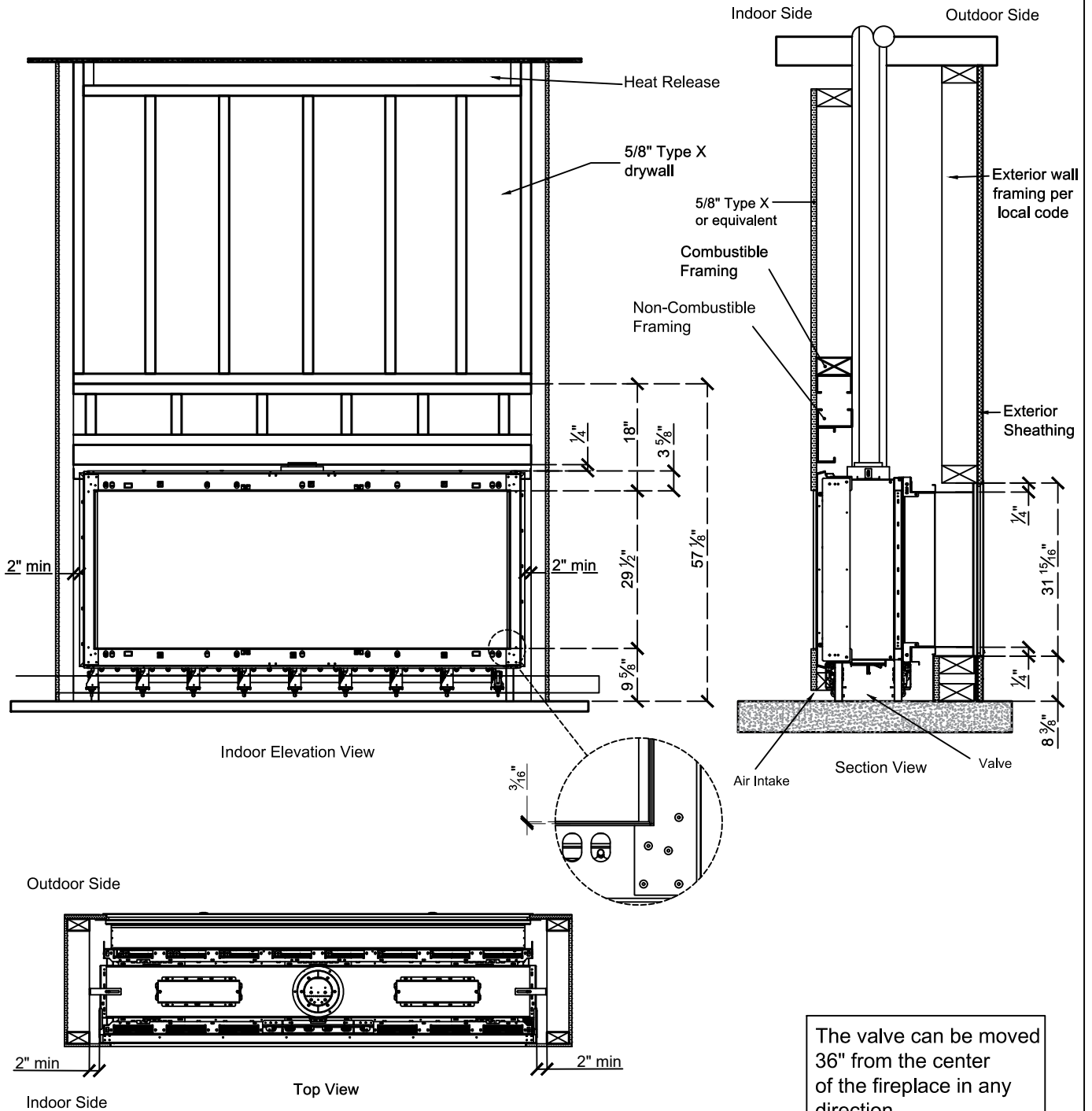
Model	A	B	C		D	E
			MIN	MAX		
200HH	57 1/8"	86 15/16"	24 1/16"	26 3/4"	Refer to Vent Manufacturer's Firestop Dimensions	14 1/8"

Note : 1. Drawings are not to Scale
 2. All dimensions in inches
 3. No weight can be transferred to the fireplace. ALL FRAMING MUST BE SELF-SUPPORTED.

Framing Information: 200HH Indoor-Outdoor Tunnel



Framing Details



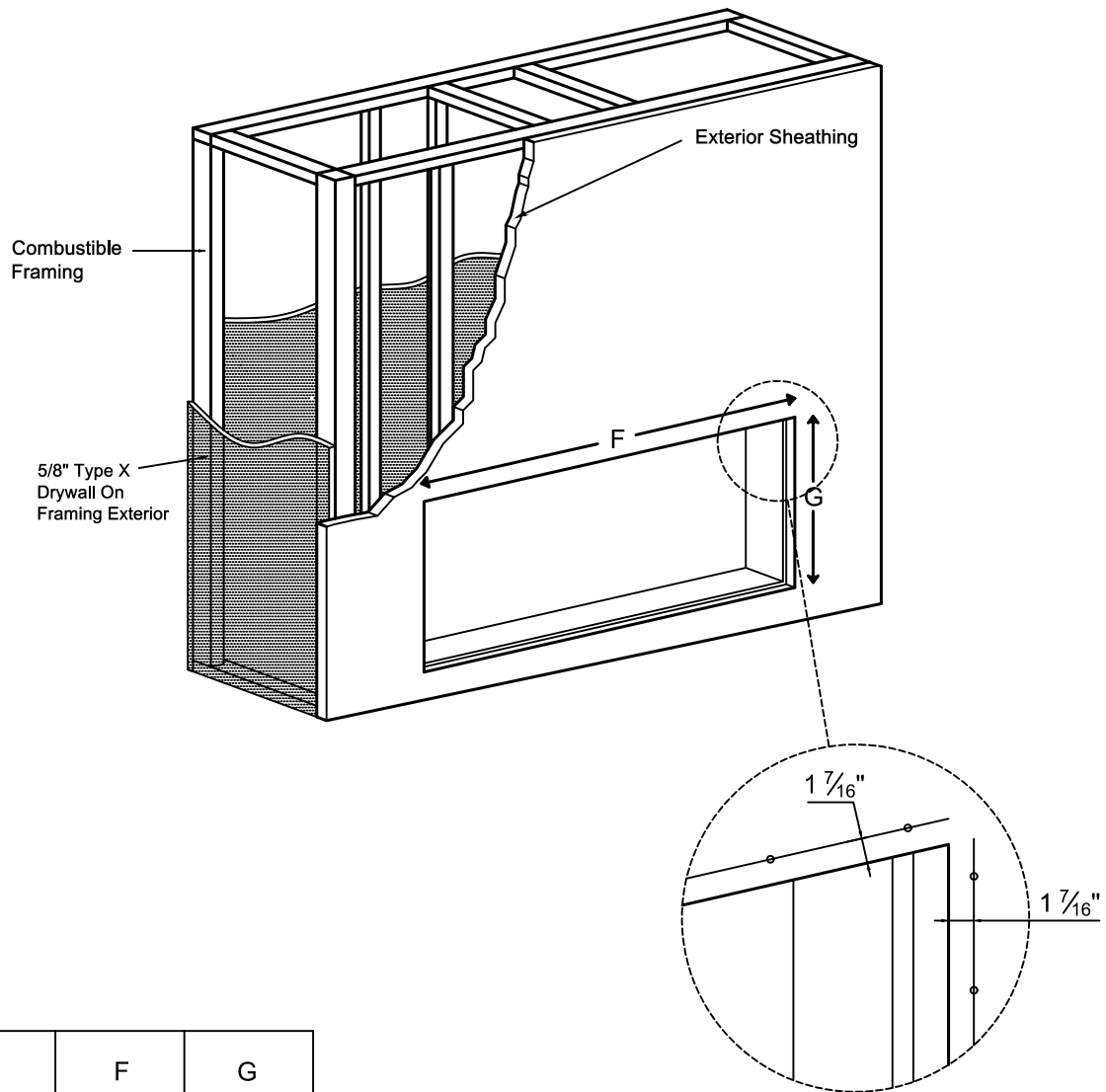
The valve can be moved 36" from the center of the fireplace in any direction

- Note :
1. Drawings are not to Scale
 2. All dimensions in inches
 3. No weight can be transferred to the fireplace. ALL FRAMING MUST BE SELF-SUPPORTED.

Framing Information: 200HH Indoor-Outdoor Tunnel



Exterior Framing Details



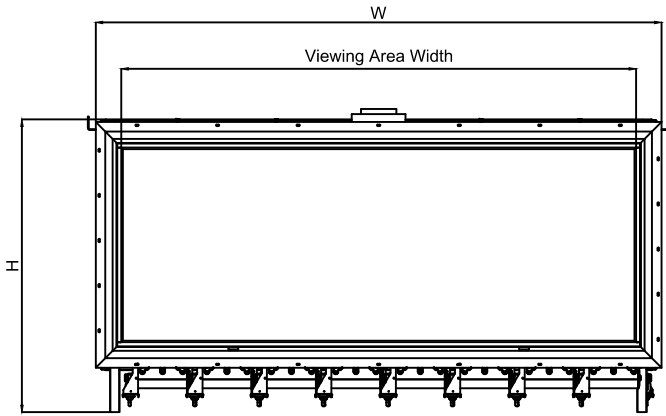
Model	F	G
200HH	79 1/8"	32 3/16"

Note : 1. Drawings are not to Scale
 2. All dimensions in inches

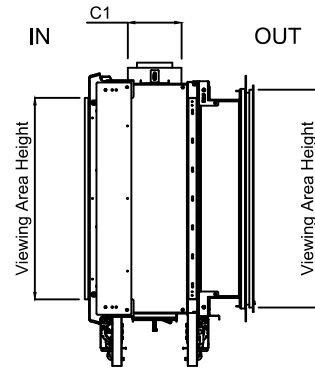
Framing Information: 200HH Indoor-Outdoor Tunnel



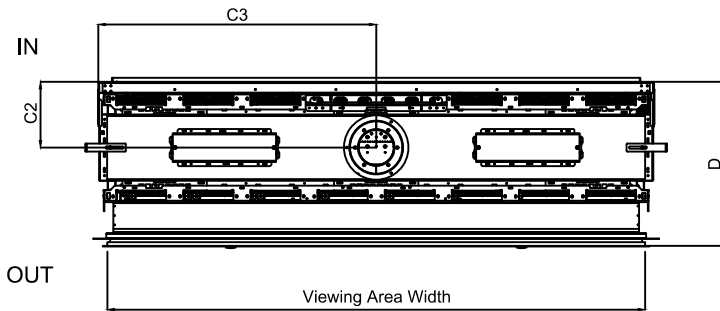
Fireplace Dimensions



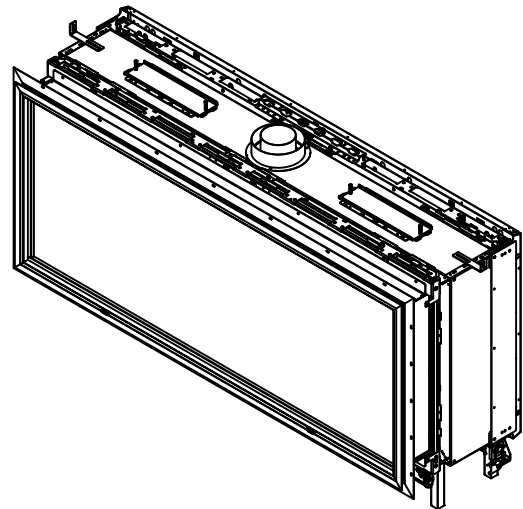
Outdoor Front View



Side View



Top View



Model	(H) Height	(W) Width	(D) fixed Depth	C1	C2	C3	Viewing Area	
							IN	OUT
200HH	42 15/16"	82 15/16"	24 1/16"	7 7/8"	9 5/8"	40 3/4"	77 1/2" W X 29 1/2" H	78 7/8" W X 31 15/16" H

Note : 1. Drawings are not to Scale
2. All dimensions in inches

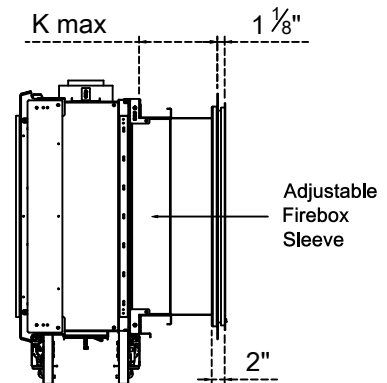
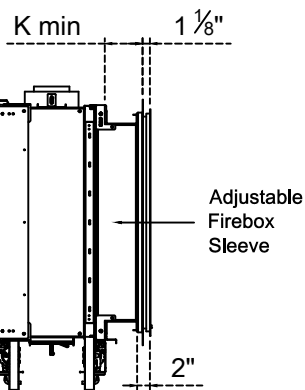
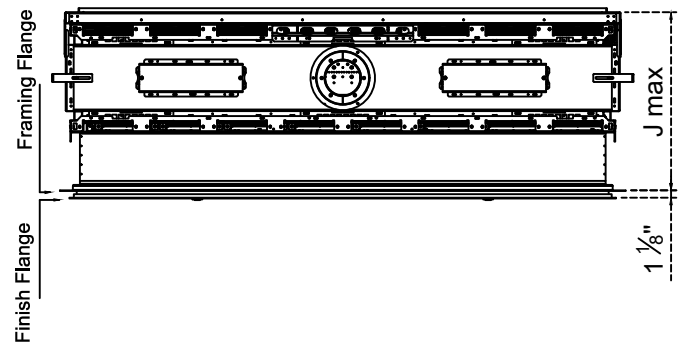
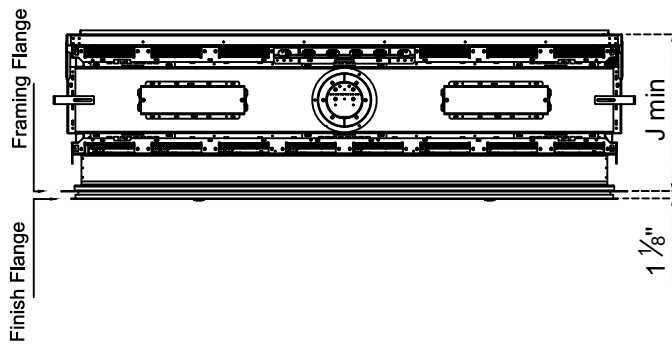
Framing Information: 200HH Indoor-Outdoor Tunnel



Fireplace Dimensions

Minimum depth

Maximum depth



Model	J min	J max	K min	K max
200HH	23"	25 1/16"	5 3/8"	8 1/16"

Note : 1. Drawings are not to Scale
2. All dimensions in inches