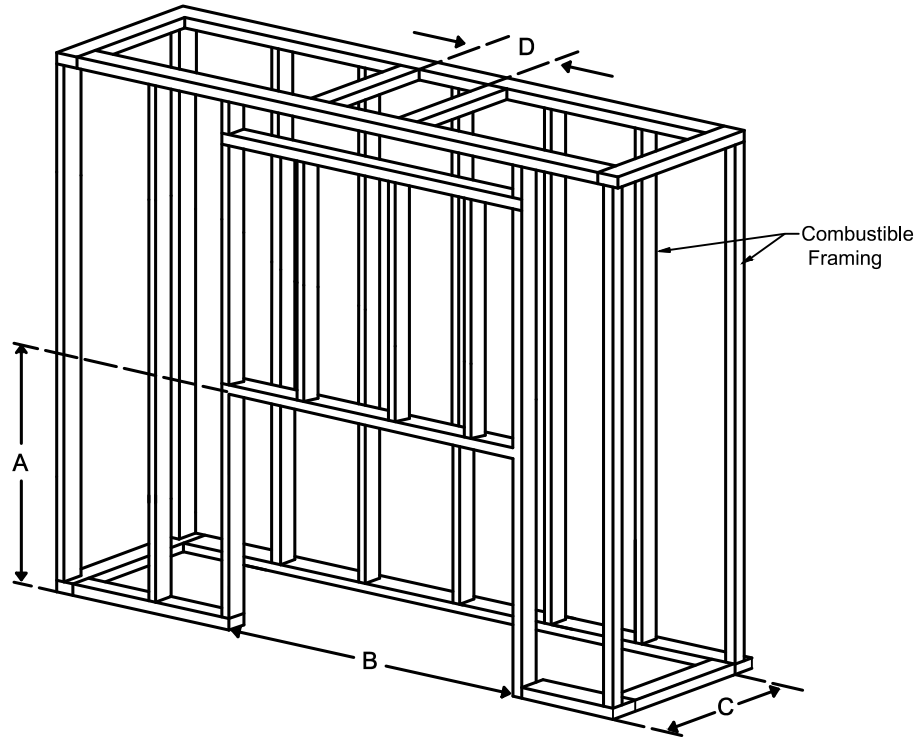


## Framing Information: 60HH Front (Screen & Double Glass)



### Framing Dimensions



Model	A	B	C	D
60HH Front	49 ½"	65 ½"	21 ⅝"	Refer to Vent Manufacturer's Firestop Dimensions

**Note :**

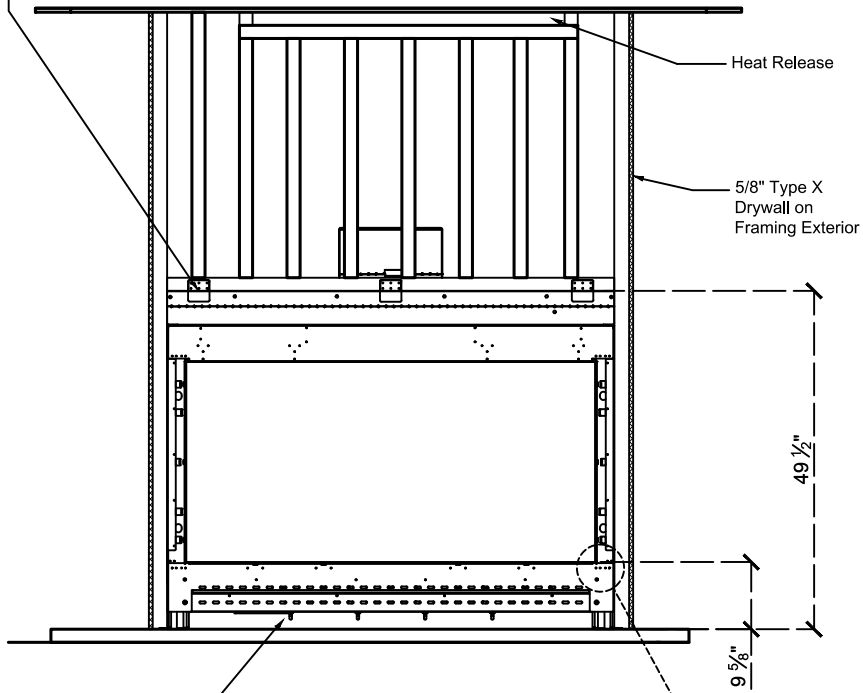
1. Drawings are not to Scale
2. All dimensions in inches
3. No weight can be transferred to the fireplace. ALL FRAMING MUST BE SELF-SUPPORTED.

# Framing Information: 60HH Front (Screen & Double Glass)

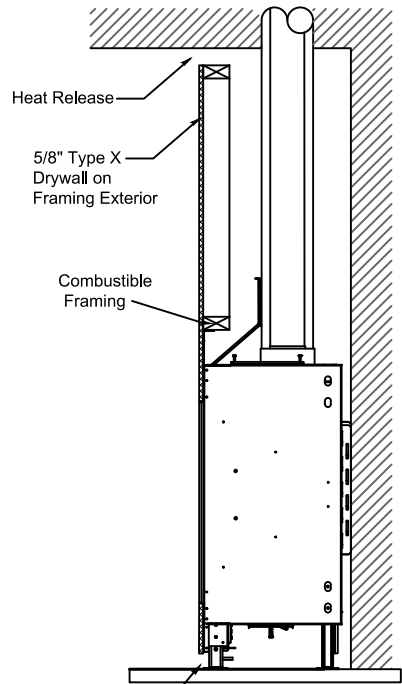


## Framing Details

Nailing flanges fold up and connect to the framing.  
**ALL FRAMING MUST BE SELF-SUPPORTED.**  
 The fireplace must not bear any weight.



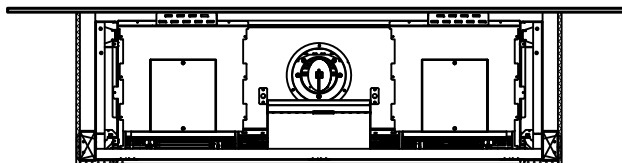
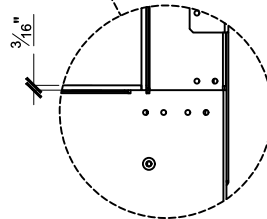
Elevation View



Air Intake  
 (required for double glass only)

Section View

Add drywall nailer as needed.



Top View

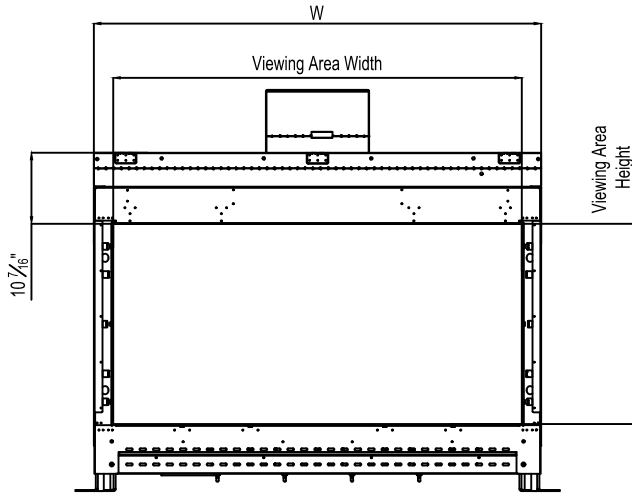
The valve can be moved 36" from the center of the fireplace in any direction

- Note :
1. Drawings are not to Scale
  2. All dimensions in inches
  3. No weight can be transferred to the fireplace. **ALL FRAMING MUST BE SELF-SUPPORTED.**

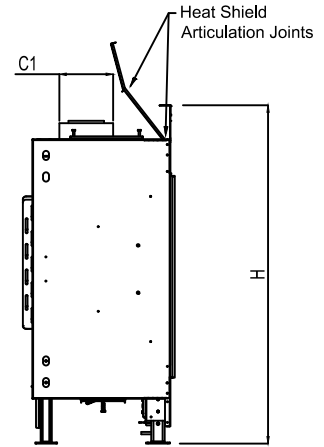
# Framing Information: 60HH Front (Screen & Double Glass)



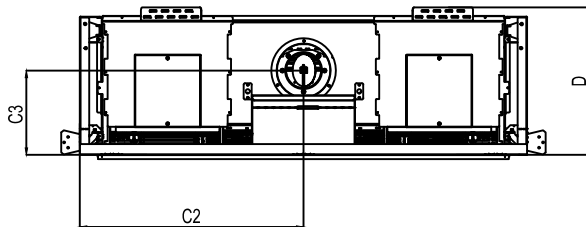
## Fireplace Dimensions



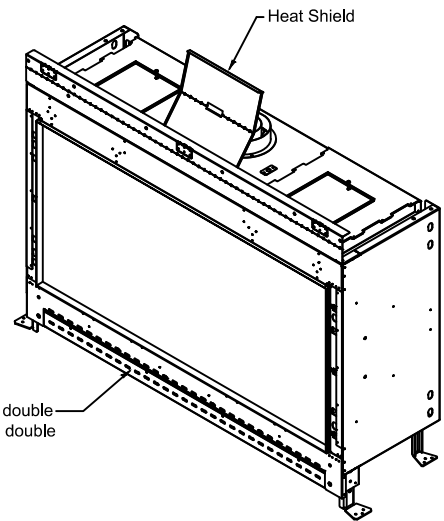
Front View



Side View



Top View



Protective Cover for double glass fans. Ships on double glass models only.

Model	(H) Height	(W) Width	(D) Depth	C1	C2	C3	Viewing Area	
							Front	Side
60HH Front	49 1/2"	65 1/2"	21 5/8"	7 7/8"	32 3/4"	12 5/16"	59 13/16" W X 29 1/2" H	—

Note : 1. Drawings are not to Scale  
2. All dimensions in inches